

## Advantages: PIN & BARREL continuous hinges

**“SELECT has focused on what the competitors have missed — quick deliveries, competitive pricing and customer service. To say they are top-notch would be an understatement.”**

— Indiana spec writer



### Corrosion-Resistant Stainless Steel

Stainless steel pin & barrel design creates a tough, highly secure opening.



### Templated Hole Pattern

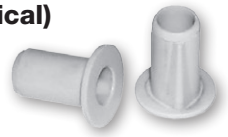
SELECT hinges line up perfectly, precisely, every time. Makes installation easier and faster.



### Dust-Free (Medical) Bearings

Prevent metal-to-metal contact and eliminate dust.

*Exclusive standard (no upcharge) on all SELECT Pin & Barrel hinges.*



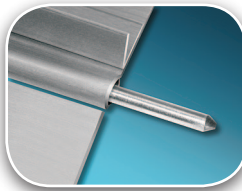
### Variety of Finishes

Available in polished, brushed and painted finishes to match, contrast or accent your building's design.



### 3-Hr. Fire Rating

Fire-rated out of the package. No extra parts to buy or install. No liability worries.



### Stainless Steel Pin

Delivers high tensile strength by forming a strong, free-moving unit. Flexible and strong in abused openings.

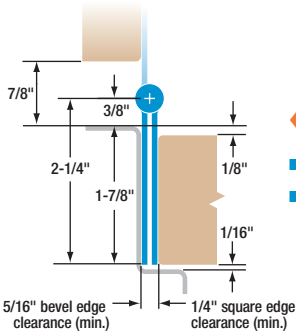


### End Caps

Spiral-knurled steel caps seal the barrel ends to contain hinge pin.

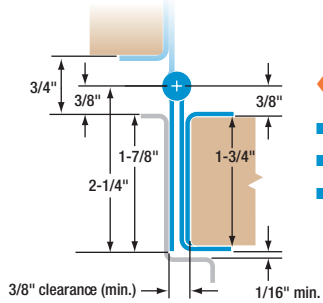
CONCEALED

**Concealed edge mount on doors up to 600 lb. No mortise required. For new construction or renovation/retrofit.**



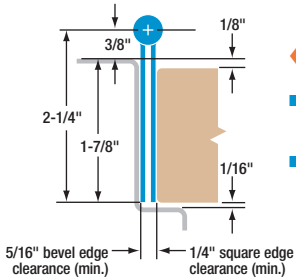
### < SL300

- Stainless steel
- 1/8" door inset



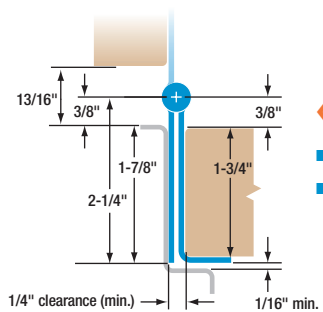
### < SL305

- Stainless steel
- Door guard
- Adjusta-Screw™ fasteners included



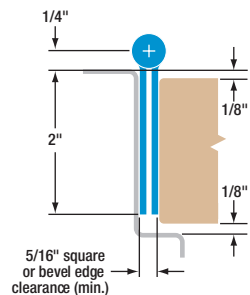
### < SL200

- Carbon steel with gray powder coat primer
- 1/8" door inset



### < SL315

- Stainless steel
- Single edge guard



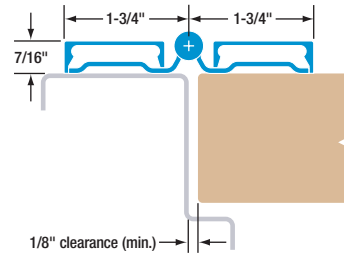
### < SL3500

- Extra heavy-duty 12 gauge stainless steel
- Fits doors up to 4 ft. wide and up to 900 lb.
- Meets ASTM F-1450A Abuse Test requirements
- Hospital Tip Prep standard
- 1/8" door inset

**NEW!**

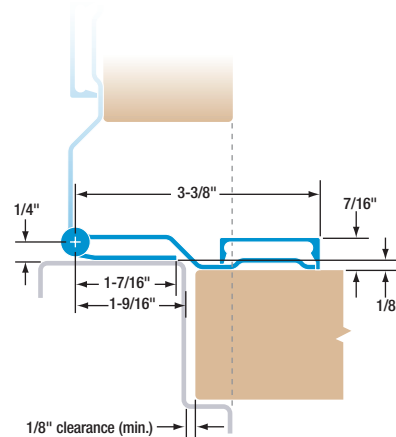
FULL SURFACE

**Surface mount on existing or new door and frame. Suitable for renovation/retrofit or new construction. For doors weighing up to 600 lb.**



### < SL302

- Stainless steel
- Tamper-resistant leaf covers
- Flush mount (no door inset)

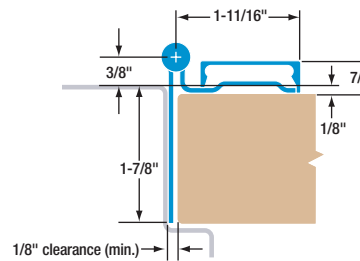


### < SL309

- Stainless steel
- Swing clear action
- Tamper-resistant door leaf cover
- 1/8" door inset

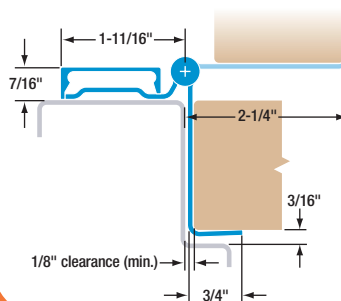
HALF SURFACE

**Applicable for renovation/retrofit or new construction. For doors weighing up to 600 lb.**



### < SL303

- Stainless steel
- Tamper-resistant door leaf cover
- Mounts on door face and frame rabbet
- 1/8" door inset



### < SL306

- Stainless steel
- Mounts on frame face and door edge
- Tamper-resistant frame leaf cover
- Edge guard

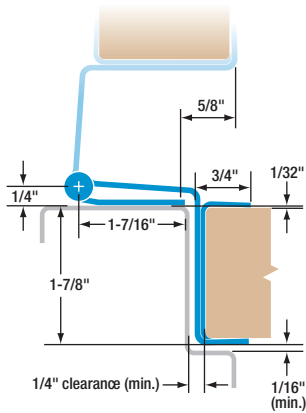
**Adjusta-Screw™ Fasteners**  
Remedy out-of-square doors and frames easily. Correct fit variances up to 3/8" along full length of door.



# Specifications: PIN & BARREL continuous hinges

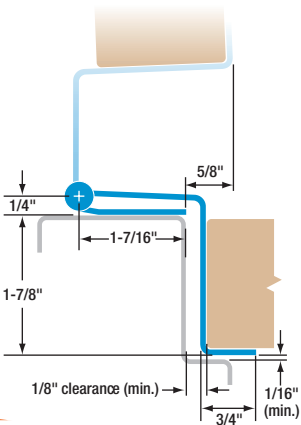
SWING CLEAR

Provides maximum clearance for operating room and similar doors up to 600 lb. Door guard protects door at hinge edge.



### < SL310

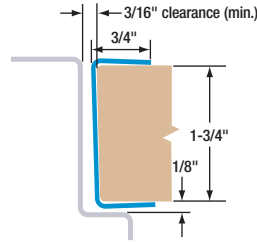
- Stainless steel
- Swing clear action
- Door guard
- Adjusta-Screw™ fasteners included



### < SL311

- Stainless steel
- Swing clear action
- Edge guard

EDGE GUARD



### < SL308

- Stainless steel edge guard
- Adjusta-Screw™ fasteners available at extra cost
- Specify square or beveled door edge

### Adjusta-Screw™ Fasteners

Remedy out-of-square doors and frames easily. Correct fit variances up to 3/8" along full length of door.



## Custom Designed Continuous Hinges

Contact factory for quotations or special-design continuous hinges (U.S. Navy; U.S. Government; FE-BR; etc.)

[customerservice@select-hinges.com](mailto:customerservice@select-hinges.com)

## Pin & barrel hinge part number interchange

PIN & BARREL HINGES							
SELECT	MARKAR	HAGER	PEMKO	MCKINNEY	STANLEY	ABH	IVES
SL300	FM-300	790-900	SPBFM	MCK FM300	651	A500	700
SL302	FS-302		SPBFS	MCK FS302	657	A502	702
SL303	HS-303	790-903	SPBHS	MCK HS303		A503	
SL305	HG-305	790-905	SPBFMDEG	MCK HG305	652	A505	705
SL306	HG-306	790-906		MCK HG306	655	A506	
SL308	EG-308		SDEG		EG2/2B	A528F	
SL309	FS/SC-309	790-909	SPBFSSC	MCK FS309			
SL310	HG-310			MCK HG310			
SL311	HG-311			MCK HG311	656	A511	711
SL315	HG-315		SPBFMEG				
SL3500	FM-3500		SPBFMHD				
SL200	FM-200			FM3700	641		600
SL402TP	FS-402-TP						
SL902TP	FS-902-TP						
SL121TP	FSTP-10021						
SL122TP	FSTP-10022						