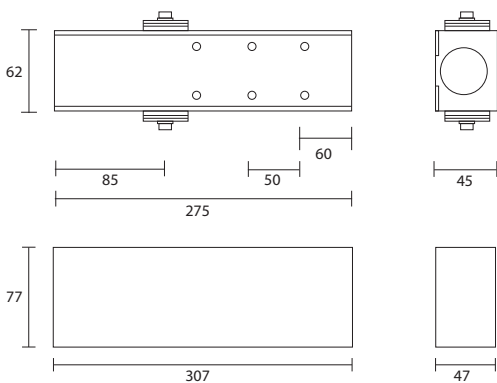




## TS9206 - Standard Arm Closer

A extreme heavy duty, but slimline power adjustable door closer, which is suited especially to extreme weather or windy conditions in schools, public buildings, offices, hotels and hospitals.



All dimensions in mm.

### BS EN 1154 Classification

TS9206 door closers have been independently tested to conform with the EN 1154 performance standard. They are CE marked and classified as follows:

**Standard Arm** Fig 1

4	8	6 3	1*	1	3
---	---	--------	----	---	---

The TS9206 high efficiency door closer is 'Engineered to Perform', assisting door sets meet the requirement of Approved Document M and BS8300 recommendations.

### BS EN 1634 Fire Test

TS9206 door closers are fire tested to BS EN 1634. (Fig 1, 61, 66, and slide arm applications)

### Product Specification

Power size (adjustable by spring)	
EN2 (up to 850mm / 45kg)	Yes*
EN3 (up to 950mm / 60kg)	Yes
EN4 (up to 1100mm / 80kg)	Yes
EN5 (up to 1250mm / 110kg)	Yes
EN6 (up to 1400mm / 120kg)	Yes
Mechanism	Rack and Pinion
Adjustable closing speed	Yes
Adjustable latch action	Yes
Adjustable delayed action	Yes
Adjustable back check	Yes
Max door width (mm)	1400
Max door weight (kg)	120
Opening angle	180°
LH and RH doors - universal application	Yes
Tested to BS EN1154: 1997	Yes

### TS9206 Series Options

Hold-open arm (Not to be used on fire doors)	Optional
Slide arm	Optional
Drop plate	Optional
Available finishes	All

Optional: Not CE \* Not Certifire approved



1121



Certificate No. WQM 132