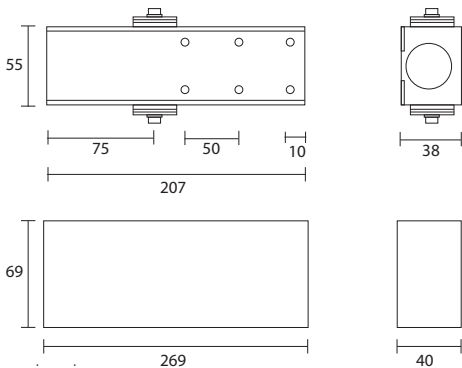




## TS9204 - Standard Arm Closer

The slimline nature of this highly engineered closer makes it a desirable choice for any application where style and unobtrusiveness is required in schools, public buildings, offices, hotels and hospitals.



All dimensions in mm.

### BS EN 1154 Classification

TS9204 door closers have been independently tested to conform with the EN 1154 performance standard. They are CE marked and classified as follows:

**Standard Arm** Fig 1

4	8	4 2	1	1	3
---	---	--------	---	---	---

### BS EN 1634 Fire Test

TS9204 closers have been tested to BS EN 1634 for 30, 60 and 120 minutes on timber doorsets, and 240 minutes on metal doorsets. (Fig 1, 61, 66, and slide arm applications)

**Parallel Arm** Fig 66

4	8	4	1	1	3
---	---	---	---	---	---

### Product Specification

Power size (adjustable by position)

EN2 (up to 850mm / 45kg)	Yes
EN3 (up to 950mm / 60kg)	Yes
EN4 (up to 1100mm / 80kg)	Yes
Mechanism	Rack and Pinion
Adjustable closing speed	Yes
Adjustable latch action	Yes
Adjustable delayed action	Optional
Adjustable back check (CE in Fig 66)	Yes
Max door width (mm)	1100
Max door weight (kg)	80
Opening angle	180°
DDA (Min door width 936mm)	Fig 1
DDA (Min door width 753mm)	Fig 66
LH and RH doors - universal application	Yes
Fire Rated (BS EN 1634-1: 2000)	Yes
Tested to BS EN1154: 1997	Yes

### TS9204 Series Options

Hold-open arm (Not to be used on fire doors)	Optional
Slide arm	Optional
Drop plate	Optional
Available finishes	All

Optional: Not CE or Certifire approved



1121



Certificate No. WQM 132