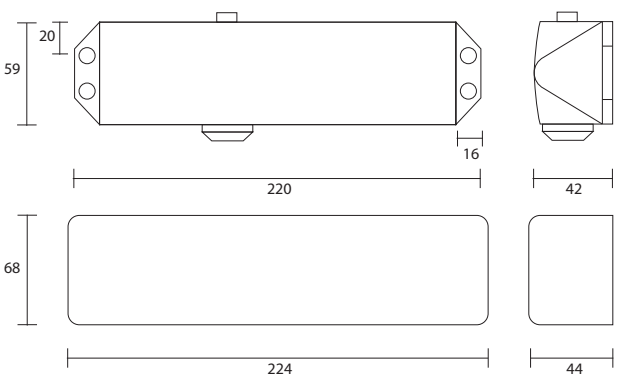




TS3204 - Standard Arm Closer

A low cost, attractive overhead door closer for medium duty applications.



All dimensions in mm.

BS EN 1154 Classification

TS3204 door closers have been independently tested to conform with the EN 1154 performance standard. They are CE marked and classified as follows:

4	8	3	1	1	3
---	---	---	---	---	---

BS EN 1634 Fire Test

TS3204 closers have been tested to EN 1634 for 30, 60 and 120 minute door sets. Test certificates are available on request.

Product Specification

Power size (adjustable by position)	
EN2	Optional
EN3	Yes
EN4	Optional
Mechanism	Rack and Pinion
Adjustable closing speed	Yes
Adjustable latch action	Yes
Max door width (mm)	1100
Max door weight (kg)	80
Back Check	Optional
Opening angle	180°
LH and RH doors - universal application	Yes

Note: Parallel arm bracket also included
Optional: Not CE or Certifire approved

TS3000 Series Options

Hold-open arm (Not to be used on fire doors)	Optional
Hollow door fixing pack	Optional
Drop plate	Optional
Available finishes	Silver and Plated

Optional: Not covered by CE marking



Certificate No. WQM 132