



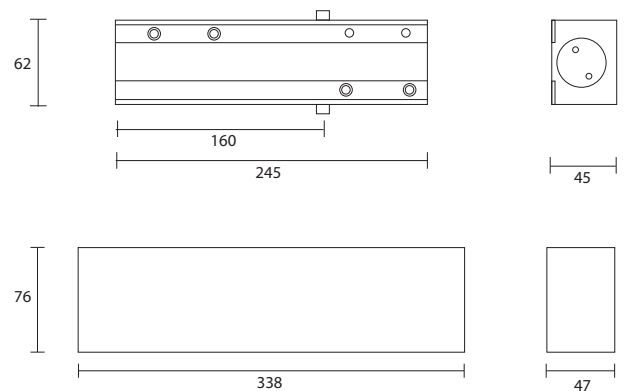
## TS18204 - Electromagnetic Swing Free/Hold Open Closer

An extreme heavy duty, but slimline electromagnetic swing free/hold open door closer, for use in schools, public buildings, offices, hotels, hospitals and nursing homes.

### Product Specification

Power size	
EN3	TS.18003
EN2-5	TS.18204
Mechanism	Rack and Pinion
Adjustable closing speed	Yes
Adjustable latch action	Yes
Electric rating	24V DC
Max door width (mm)	1250
Max door weight (kg)	80
Back Check	Optional
Opening angle	180°
LH and RH doors - universal application	Yes

Fig 1 and Fig 66



All dimensions in mm.

### Testing

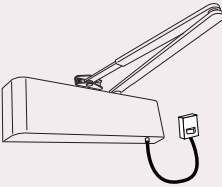
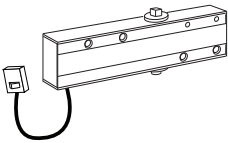
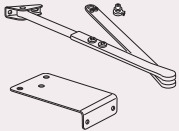
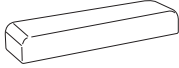
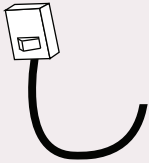
Please call technical support for the latest testing on this product.

### TS18000 Series Options

Available cover finishes	All
Available flat bar armrest finishes	All
Swing free arms finishes	All
Slide rail finishes	All



Certificate No. WQM 132

Description	EN Size	Finish	Product Code
 <p>TS18204 Electromagnetic swing free/hold open closer combined unit with body, cover and swing free/hold arm set, PA bracket, door loop and switch</p>	2/3/4	Silver	TS18204EHO/SF.SE/SE
	2/3/4	Satin Nickel	TS18204EHO/SF.SNP/SNP
	2/3/4	Polished Nickel	TS18204EHO/SF.PNP/PNP
		Electro Brass	TS18204EHO/SF.EB/EB
		Satin Stainless Steel	TS18204EHO/SF.SSS
	2/3/4	Polished Stainless Steel	TS18204EHO/SF.PSS
 <p>TS18204 Mechanism, door loop and switch</p>	2-4	Silver	TS18004
 <p>TS18204 Series flat bar armset swing free (includes fixings and PA bracket)</p>	-	Silver	HO/SFA.SE
		Black	HO/SFA.BK
		Satin Nickel	HO/SFA.SNP
		Polished Nickel	HO/SFA.PNP
		Electro Brass	HO/SFA.EB
 <p>TS18204 Series semi radius cover</p>	-	Silver	SR.180.SE
		Satin Nickel	SR.180.SNP
		Polished Nickel	SR.180.PNP
		Electro Brass	SR.180.EB
		Satin Stainless Steel	SR.180.SSS
 <p>TS18204 Door loop and switch</p>	-	-	DL.184