



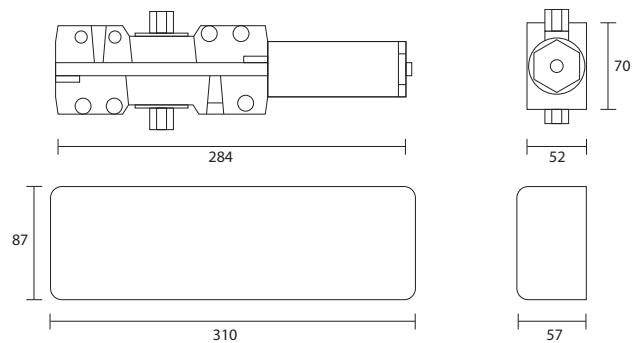
TS10106 - Standard Arm Closer

A heavy duty, full feature, multi-sized commercial door closer from power size EN1-6 for prisons, detention centres, hospitals, shopping centres, high traffic environments and exposed situations.

Product Specification

Power size (adjustable by spring)

EN1	Yes
EN2	Yes
EN3	Yes
EN4	Yes
EN5	Yes
EN6	Yes
Mechanism	Rack and Pinion
Adjustable closing speed	Yes
Adjustable latch action	Yes
Max door width (mm)	1400
Max door weight (kg)	120
Opening angle	180° (Fig 66) 120° (Fig1 or 61)
LH and RH doors - universal application	Suited for both aluminium and timber framed doors
Standard colour silver	Yes
Plated cover SNP/PNP/EB	Yes



All dimensions in mm.

ANSi Test

TS10106 door closers have been endurance ansi tested to **2 million cycles**.

TS10106 Series Options

Hold-open arm	Optional
Cushion arm	Optional
Cushion hold-open arm	Optional



Certificate No. WQM 132