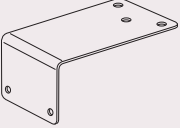
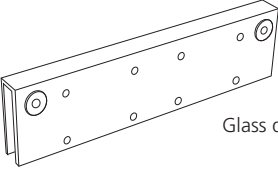
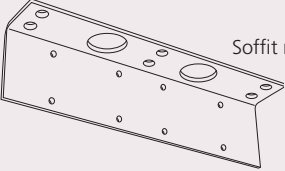
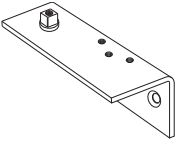
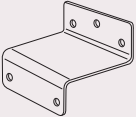




# Brackets



| Description   | Finish                | Product Code | Box Qty |
|---|-----------------------|--------------|---------|
|  <p>Extended parallel arm bracket (includes fixings)</p> | Silver                | PAB.2.SE     | 50      |
|   | Black                 | PAB.2.BK     | 50      |
|   | Gold                  | PAB.2.GE     | 50      |
|   | Satin Nickel          | PAB.2.SNP    | 50      |
|   | Polished Nickel       | PAB.2.PNP    | 50      |
|   | Electro Brass         | PAB.2.EB     | 50      |
|   | Colour Coated         | PAB.2.RAL    | 50      |
|  <p>Glass door shoe to suit glass (10mm)</p>           | Silver                | GDS.95.SE    | 10      |
|  <p>Soffit mounting bracket</p>                        | Silver                | SMB.34.SE    | 100     |
|   | Silver                | SMB.94.SE    | 100     |
|   | Silver                | SMB.95.SE    | 100     |
|  <p>Pinion bracket</p>                                 | Silver                | PIN.SE       | 50      |
|  <p>Z Bracket</p>                                      | Silver                | PAB.5.SE     | 50      |
|   | Satin Stainless Steel | PAB.5.SSS    | 50      |