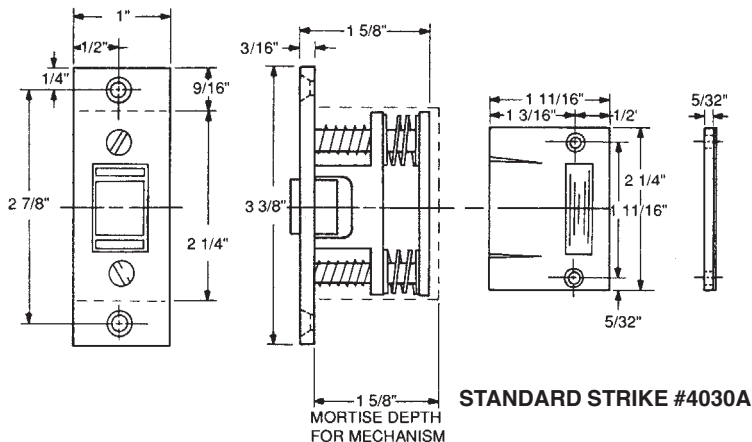
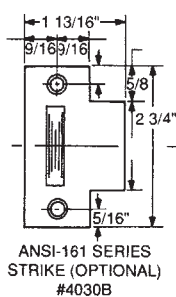
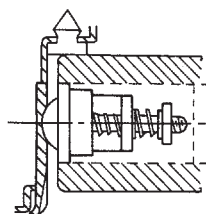
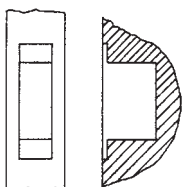


ADJUSTABLE ROLLER LATCH

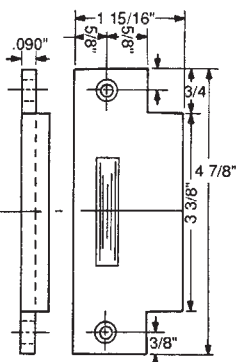


STANDARD STRIKE #4030A

MORTISE DETAIL

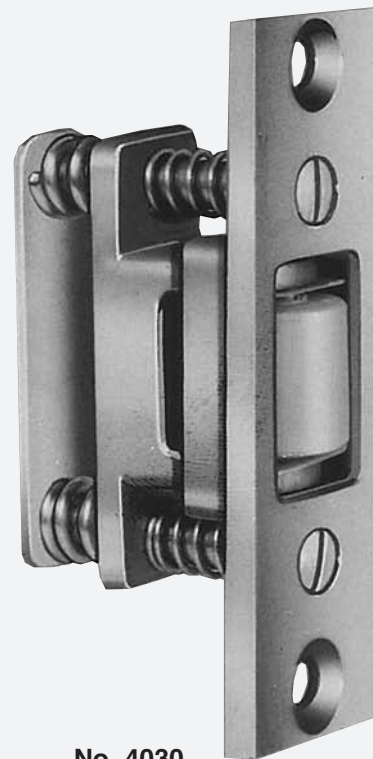


ANSI-161 SERIES STRIKE (OPTIONAL) #4030B

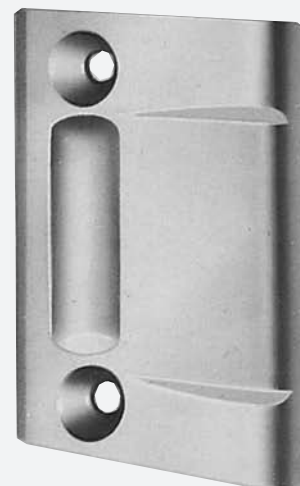


ANSI-86 SERIES #4030C STRIKE (OPTIONAL)

No. 4030 Template



No. 4030



No. 4030A

Adjustable roller latches are a versatile piece of hardware which can be used for a variety of applications. Roller latch easily adjusts to provide the desired contact between roller and applicable frame strike. Latch pressure is adjusted without removing the roller latch from the door.

Adjustable roller latches are specified when doors are furnished with push/pull hardware, and when quiet closing and opening of the door is desired.

The 4030 latch is supplied with No. 4030A cast strike as standard; a wrought roller strike No. 4030B for ANSI-161 frame cut out, and No. 4030C wrought roller strike for ANSI-86 frame cut out are available options.

Stock Finishes:

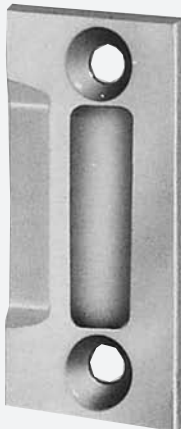
- US Standard: US3, US4, US10, US10B, US26, US26D
- BHMA Standard: 605, 606, 612, 613, 625, 626



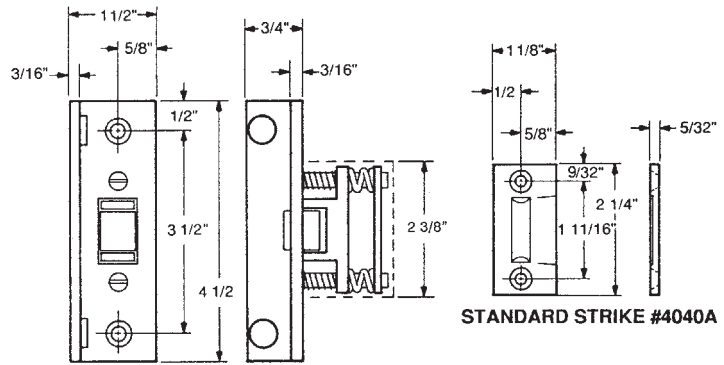
ADJUSTABLE ROLLER LATCH (ANGLE STOP)



No. 4040



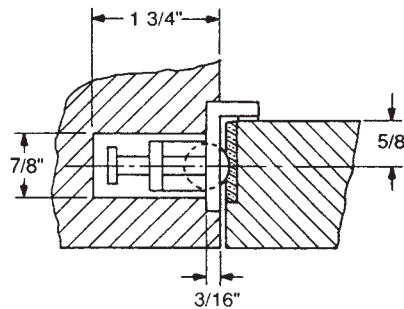
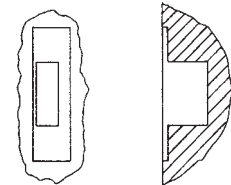
No. 4040A



MORTISE DETAIL

SCREW DETAIL

ROLLER LATCH	2 ea #8-32 APS
	2 ea #10 WS
STRIKE	2 ea #8-32 APS
	2 ea #8 WS



No. 4040 Template

The 4040 adjustable roller latch has the same features as the 4030 roller latch. The angle face is manufactured of 3/16" solid cast brass or bronze and equipped with door silencers to provide a combination door stop and roller latch.

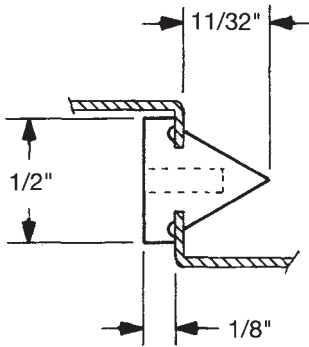
jamb. Gates, flush closet, storage doors, and flush panel doors are applications where the 4040 latch and stop can be used.

The No. 4040A cast roller strike is supplied as a standard.

The 4040 adjustable roller latch is specified where frame stop strip is not furnished or required. The roller latch and stop can be installed on head frames or side

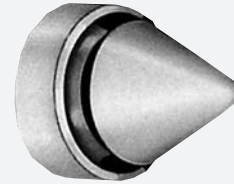
Stock Finishes: US Standard: US3, US4, US10, US10B, US26, US26D
BHMA Standard: 605, 606, 612, 613, 625, 626





No. 8S—Gray rubber-metal frames

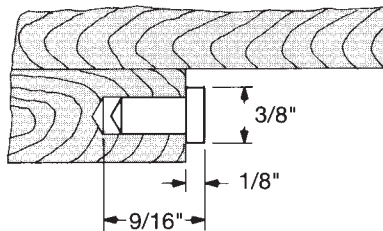
100 ea. per box wt. 1/4 lb.
 1000 ea. per box wt. 2 1/2 lbs.
 5000 ea. per box wt. 12 lbs.



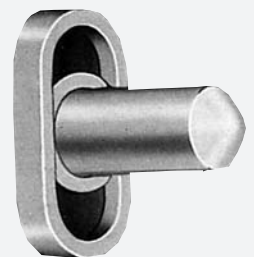
No. 8S

No. 9S—Gray rubber-wood frames

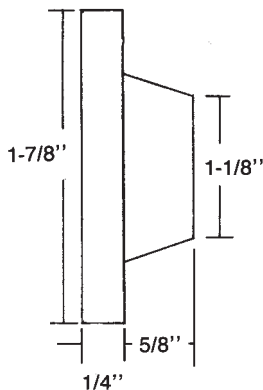
100 ea. per box wt. 1/4 lb.
 1000 ea. per box wt. 3 1/2 lbs.
 5000 ea. per box wt. 17 lbs.



No. 9S

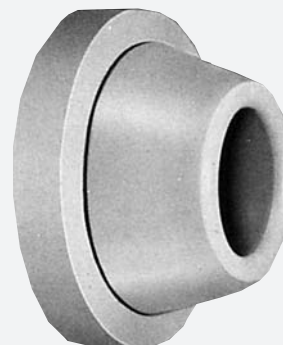


Note: 8S and 9S silencers stocked in gray rubber. White available on request. (Photographed products shown twice actual size.)



No. 300C—Concave Wall Bumper (gray rubber)

25 ea. per box wt. 3 lbs.
 100 ea. per box wt. 15 lbs.
 500 ea. per box wt. 65 lbs.

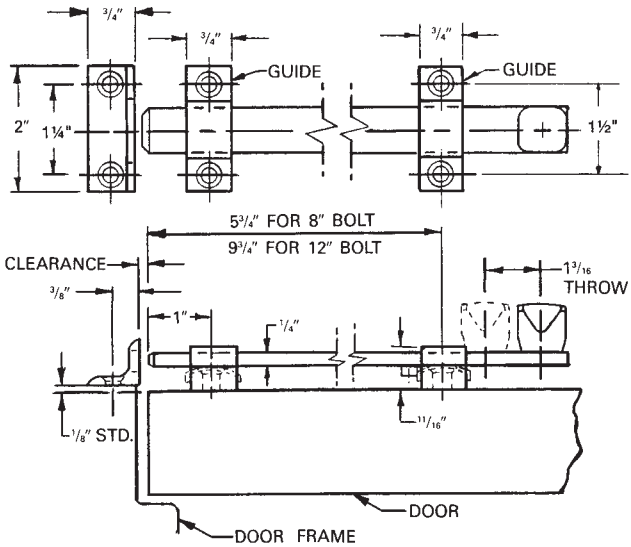
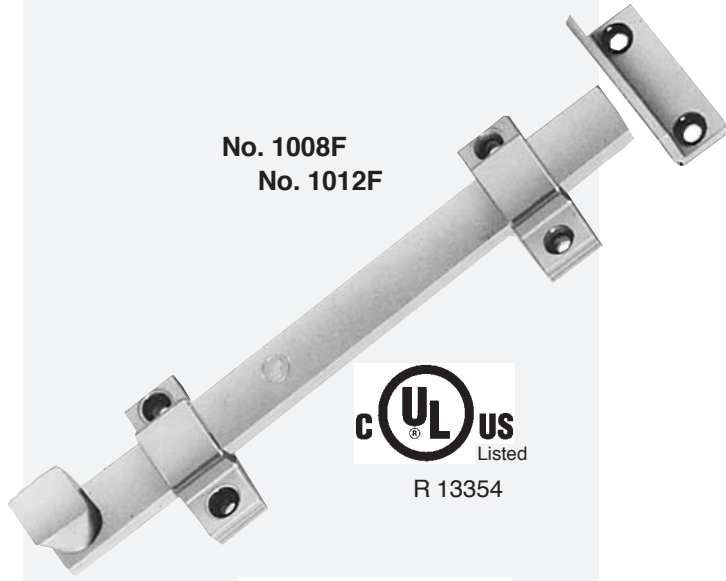


No. 300C

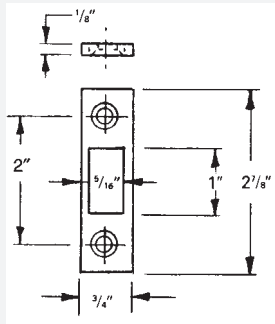
Ideal for application to tile, plaster and wood surfaces.
 Gray rubber only.

SURFACE & SECURITY DOOR BOLTS

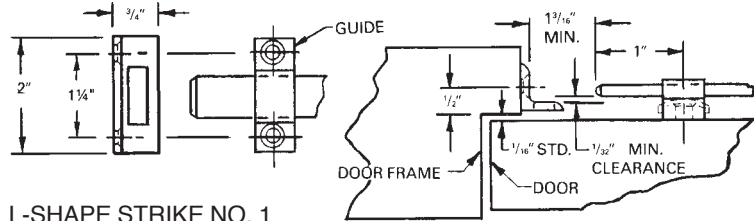
No. 1008F
No. 1012F



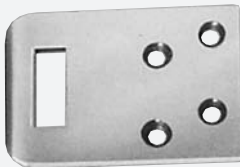
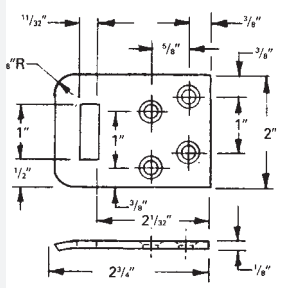
DCI surface door bolts are of heavy steel construction with a choice of three strikes, insuring maximum strength and security on both inswinging and outswinging metal or wood doors. All bolts are available with choice of three strikes, Mortise and L-shape strike furnished standard; rim strike No. 3 optional.



MORTISE STRIKE NO. 2

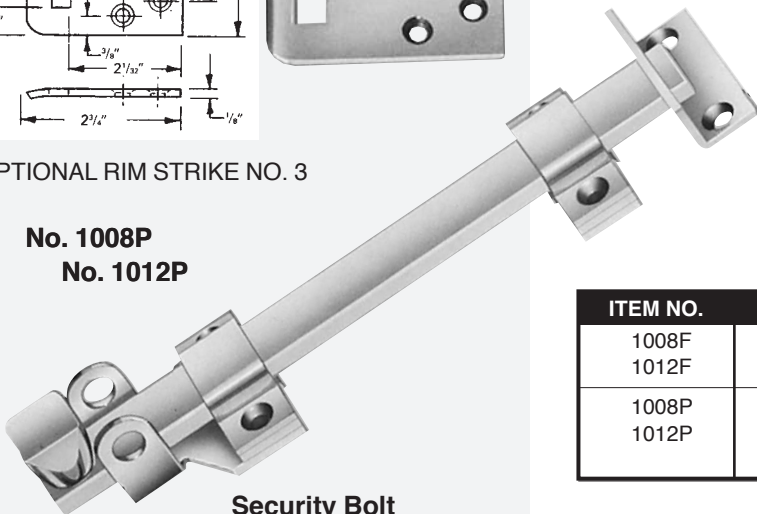


L-SHAPE STRIKE NO. 1



OPTIONAL RIM STRIKE NO. 3

No. 1008P
No. 1012P



Security Bolt
w/ Padlock Bracket

ITEM NO.	FINISHES	FASTENERS
1008F 1012F	US26D	6 each No. 10 X 1 1/4" FHSMS and 6 each No. 10-24 X 1" FHMS
1008P 1012P	US26D	6 each No. 10 X 1 1/4" One Way SMS 6 each No. 10-24 X 1" One Way MS and 6 each 10 X 1 1/4" FHSMS*

*Note: Use No. 10 X 1 1/4" FHSMS screws to locate bolts before installing appropriate one-way screws for maximum security.
Packaging: Individually bagged with both L-shape and mortise strikes. Rim strike optional.



Consult local codes for permitted applications.

Printed in the U.S.A. - © 2009