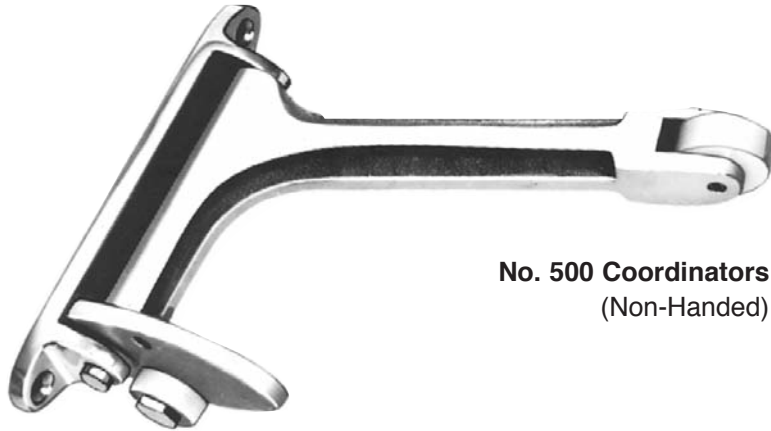


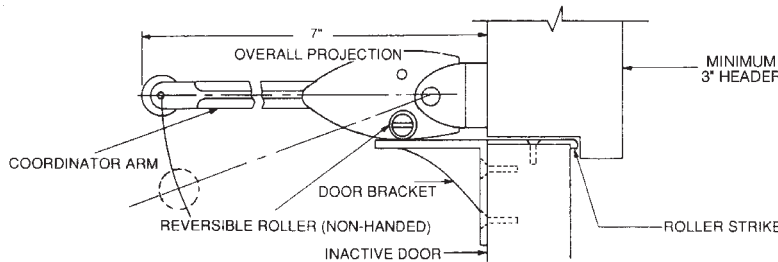
# DOOR COORDINATORS NO. 500 SERIES



**No. 500 Coordinators  
(Non-Handed)**

No. 500 Series Coordinators are nonhanded, UL listed devices used to coordinate the closing of pairs of doors in jamb openings 36" to 104" wide. Coordinator mechanism and inactive door brackets are cast of solid brass or bronze. The roller strike for top of inactive door is wrought stainless steel, brass, or bronze.

The overall projection of the coordinator arm is 7". The rubber roller at the end of the coordinator arm cushions the contact of the active door when it is closing. The reversible nylon roller which lifts the coordinator arm insures smooth and long lasting operation. A curved lip roller strike is supplied with all devices.



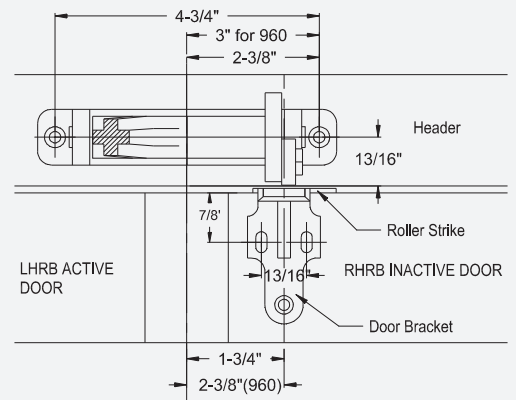
## DOOR ASTRAGAL CHART—NO. 500 COORDINATOR

ASTRAGAL LOCATION	ACTIVE DOOR WIDTHS	
	Without Carry Bar	With Carry Bar
A - No Astragal	18" to 48"	18" to 48"
B - Standard Pull side, Active Dr.	18" to 48"	18" to 34"
C - Push Side, Inactive Dr.	18" to 34"	Do not specify
D - Combination B & C	18" to 30"	Do not specify
E - Rabbeted Dr. Edges	18" to 30"	Do not specify

Chart Dimensions Apply To: Doors hung on standard butts (3/4" offset). Astragal overlap max: 7/8". Max. depth rabbeted door edges: 1-1/8". For other dimensions, consult factory.

**Stock Finishes:** Coordinator, Door Bracket, Carry Bar, Roller Strike  
 US Standard—US3, US10, US10B, US26, US26D  
 BHMA Standard—605, 612, 613, 625, 626

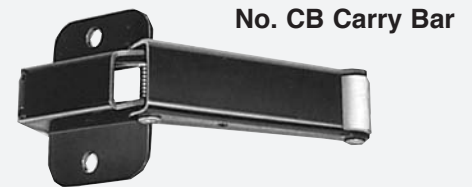
## HEAD FRAME MOUNTING DETAILS



When the active and inactive doors are open, the coordinator arm pivots downward, positioning the arm and rubber roller below the top of the active door. As the active door is closed it comes in contact with the arm and roller and is held open. When the inactive door is closed, the nylon roller on the coordinator mechanism comes in contact with the roller strike and lifts the projecting arm above the top of the active door, allowing it to close in sequence.

When the active door is in the closed position, the door bracket on the inactive door and the nylon roller position the coordinator arm above the top of the door allowing it to open and close freely.

The No. 500 Coordinator is compatible for use with Door Controls International manual, self-latching and automatic flush bolts. DCI Series 780-790, 842-942-960, 845-945.



**No. CB Carry Bar**

The No. CB hinged Carry Bar is used when it is possible to open the inactive door before opening the active door. The Carry Bar is not required when the inactive door is furnished with DCI Series Flush Bolts.

### Fasteners:

Coordinator - 2 ea. #10 x 1" FHMS  
 Door Bracket - 3 ea. #8 x 1" FHMS  
 Roller Strike - 2 ea. #10 x 1" FHMS

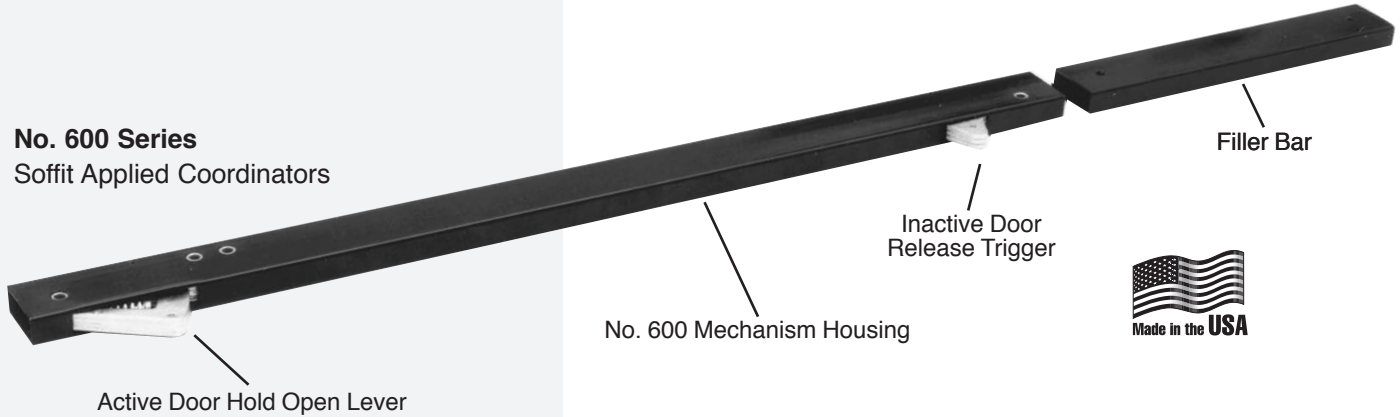
### Packaging

Individually Boxed With Fasteners and Installation Template



# DOOR COORDINATORS NO. 600 SERIES

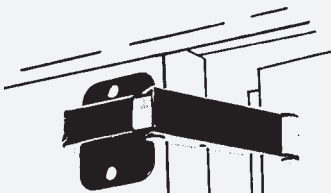
## No. 600 Series Soffit Applied Coordinators



The 600 Coordinator and Filler are mounted on the soffit and painted to match the frame. The maximum projection of the hold open lever and trigger is only 1-1/8", thus the Coordinator and Filler are virtually invisible and appear to be an integral part of the frame opening.

Door strikes are supplied for both active door hold open lever and inactive door release trigger.

Specify the CB Carry Bar when the inactive door is equipped with hardware that permits it to open before the active door. The Carry Bar is not used when the inactive door is equipped with flush bolts.



Manufactured & Assembled  
in Dexter, Michigan

Printed in the U.S.A. - © 2009

No. 600 Mechanism Housing

Inactive Door  
Release Trigger

Filler Bar



Door Controls International designed and patented the original soffit applied door coordinator which provides a smooth, quiet, invisible, and tamper-proof means of controlling the closing sequence of active and inactive doors.

The 600 Series Coordinators are widely used to control closing cycles of active doors equipped with or without astragals or rab-

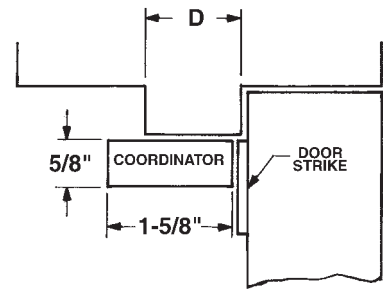
beted door edges, and inactive doors equipped with vertical rod exit devices or automatic and self-latching flush bolts.

No. 600 Coordinators are UL Listed, No. R10849; Certified to ANSI/BHMA 156.3, Grade 1, Type 21, 21A. Cycle tested (100,000) under UL supervision.

Filler Bars are supplied, unless otherwise indicated, with all coordinator series. Fillers are factory cut to correct length indicated by jamb opening to provide an even, unbroken line between active and inactive door hinge stops.

Soffit Width  
Minimum soffit width (Dim. D) for mounting standard series coordinators is 1-1/4". Coordinators are

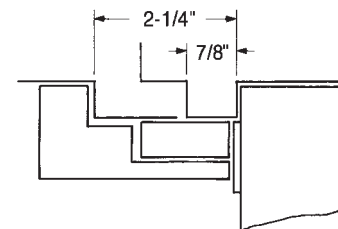
modified for soffit widths 1/2" to 1-1/8". Consult Factory for special applications.



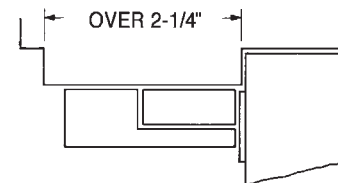
### Mounting Brackets For Soffit Applied Hardware

Order one bracket for each hardware item to be soffit mounted, such as parallel arm shoes, non-fire rated surface applied vertical strikes, door holders brackets, etc.

When ordered bracket(s) are packaged in coordinator carton.



No. AB Bracket for soffit  
7/8" to 2-1/4" wide.



No. C Bracket for soffit  
over 2-1/4" wide.



PATENT NOS. 3822506, 3895461

# ORDER INFORMATION NO. 600 COORDINATORS

B-3

## STANDARD ORDER PROCEDURE

Coordinators and accessories are installed in jamb openings with the following door, frame, and hardware dimensions:

Jamb opening widths—34" to 120"

Minimum soffit widths—1-1/4"

Hinge/Pivot offset—3/4"

Active door widths—18" to 62"

Stop Height—5/8"

Maximum astragal overlap—1"

- Width of Active Door + Width of Inactive Door = Total Width of Opening
- Coordinator Series 6 + Total Width of Opening = Coordinator Size
- Width of Active Door will determine the length of coordinator mechanism

NOTE: Consult factory for SQ Templates for installations having door, frame, or hardware dimensions other than listed above.

Order Number	Coordinator Mechanism	Maximum Active Door Width	Width of Opening
N-635 thru N-654	32" Coord. w/ Filler	up to 28"	35" to 54"
NX-645 thru NX-654	42" Coord. w/ Filler	up to 38"	45" to 54"
655 thru 696	52" Coord. w/ Filler	up to 48"	55" to 96"
L-696 thru L-6112	60" Coord. w/ Filler	up to 56"	96" to 112"
XL-6113 thru XL-6120	66" Coord. w/ Filler	up to 62"	113" to 120"
N-634	32" Mechanism Only	up to 28"	up to 54"
NX-644	42" Mechanism Only	up to 38"	up to 54"
654	52" Mechanism Only	up to 48"	up to 96"
L-662	60" Mechanism Only	up to 56"	up to 112"
XL-668	66" Mechanism Only	up to 62"	up to 120"
18 5/8"	Filler Bar Only	(can be cut down to	52" to 72"
42 5/8"	Filler Bar Only	accommodate various jamb openings)	73" to 96"

Order the L-6 Series for Active Doors over 42" when using a Vertical Rod on the Inactive Door

## EXAMPLES:

Series Number	Jamb Opening Width	Active Door Width	Mechanism Length	Active Door+ Width	Inactive Door Width	Total Width of Opening	Order Number
N-600	from 34" to 54"	up to 28"	32"	24"	+	24" = 48"	N-648
NX-600	from 44" to 54"	up to 38"	42"	36"	+	12" = 48"	NX-648
600	from 55" to 96"	up to 48"	52"	36"	+	24" = 60"	660
600	from 55" to 96"	up to 48"	52"	30"	+	30" = 60"	660
600	from 55" to 96"	up to 48"	52"	36"	+	36" = 72"	672
600	from 55" to 96"	up to 48"	52"	42"	+	42" = 84"	684
600	from 55" to 96"	up to 48"	52"	48"	+	48" = 96"	696
L-600	from 96" to 112"	up to 56"	60"	56"	+	56" = 112"	L-6112
XL-600	from 113" to 120"	up to 62"	66"	60"	+	60" = 120"	XL-6120

## PRIME COAT FINISH

Prime Coat is the standard finish for the 600 Series Coordinator & Mounting Brackets. The black finish is supplied to allow the coordinator, filler bar, & brackets to be painted to match the frame.

Specify: PC—Black Prime Coat  
US28—Powder Coated Grey  
Plated finishes available upon request.

## CARRY BAR NO. CB

Specify when inactive door can be opened prior to the active door. The Carry Bar is not required with Flush Bolts.

Stock Finishes: Prime Coat—PC  
US3, US4, US10, US10B  
US26, US26D, 32, 32D

## MOUNTING BRACKETS

Order one AB or C Bracket for each soffit applied hardware. Brackets are drilled and tapped in field for mounting the specified hardware.

Specify: AB for soffit widths of 7/8" to 2-1/4"

C for soffit widths over 2-1/4"

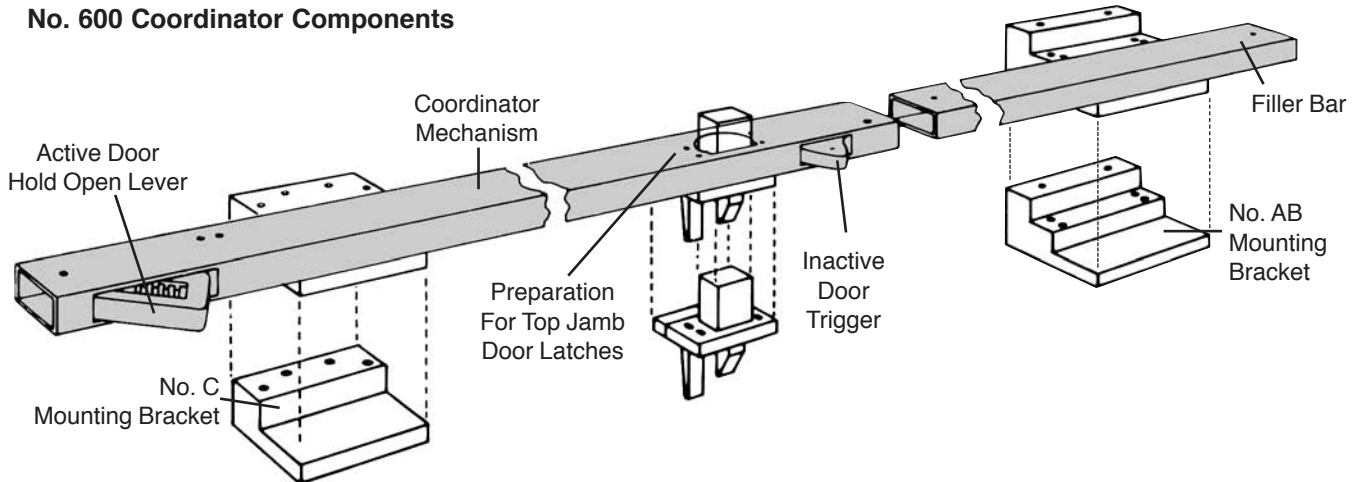
## LABELED SURFACE VERTICAL ROD STRIKES

Specify SQ108 factory prep.

Allows the surface applied strike to be installed directly to the coordinator without interfering with the internal mechanism.



## No. 600 Coordinator Components



## SQ TEMPLATE NUMBERS

Coordinators to be prepared (cutout) for vertical rod mortise top latches and/or plunger rod activators. Standard backset 2-3/4". Add SQ numbers indicated below to order sequence.

**Example** - 1 ea/L696 x (48" ACT) x 2/AB x PC x CB x 26D x 1/SQ 102 (single prep VD 8827F)

Note: Since active door is 48" wide Series L-6 (60") coordinator will be supplied with appropriate filler (34 5/8") if double prep required indicate 2/SQ 102.

## SQ TEMPLATES FOR VERTICAL ROD - FACTORY CUTOUTS

Manufacturer	Device No.	SQ No.	Cutout
Von Duprin	8847, 5547-F	SQ 101	Activator
Von Duprin	8827F	SQ 102	Latch
Von Duprin	9947	SQ 103	Activator
Ruswin/Corbin	ED6400A	SQ 105	Latch
Monarch	17C, 18C	SQ 107	Activator
Precision	1800, FL1800	SQ107	Activator
Adams Rite	3100, 8100	SQ 108	Strike Post
600 w/ Fire Rated Surface Applied Strikes		SQ 108	Internal
600 w/ Pocket Frames or Swing Clear Hinges		SQ 135	Extensions

Note: Use AB/C Brackets for mounting non labeled soffit applied strikes.

For products not listed above, provide product number and manufacturer's template with order.

## IMPORTANT

**Door Closer Selection:** Coordinators cannot be adjusted to control the closing or latching cycles of the active or inactive door. DCI recommends the selection of door closers that conform to ANSI/BHMA standards A156.4. These closers are field adjusted to control both the closing and latching door cycles.

## FASTENERS

Coordinators: 7 ea. 12-24 x 1-1/4" Truss Head, Type C tapping screws  
 Door Strikes: 4 ea. 8 x 1" APS  
 Brackets: 4 ea. 1/4 - 20 x 1/2" PFHMS  
 4 ea. 12-24 x 2" PFH screws  
 Carry Bar: 2 ea. 12-24 x 3/4" PHPANMS  
 2 ea. Sex Nuts 12-24 x 1.70"

## PACKAGING

Individual Carton  
 1 ea. Coordinators (includes Brackets, Carry Bar)  
 1 ea. Mounting Screw Package, and Door Strikes

## MASTER CARTON

4 ea. Coordinators & Accessories

