

Wall Bumpers

- Durable vinyl bumper with tamper proof concealed mounting
- A universal mounting package is supplied for easy ordering

3200T Cast Convex Wall Bumper

Conforms to ANSI/BHMA 156.16, L12101
 Manufactured of heavy-duty cast brass

3201T Cast Concave Wall Bumper

Conforms to ANSI/BHMA 156.16, L12251
 Manufactured of heavy-duty cast brass

Finishes

US3, US4, US10, US10B, US26, US26D

3210T Wrought Convex Wall Bumper

Conforms to ANSI/BHMA 156.16, L02101
 Manufactured of wrought, brass or stainless steel

3211T Wrought Concave Wall Bumper

Conforms to ANSI/BHMA 156.16, L02551
 Manufactured of wrought, brass or stainless steel

Finishes

US3, US4, US10, US10B, US26, US26D, US32, US32D

Universal Mounting Package

- 1 Ea. No. 10 x 1-1/2" APS
- 1 Ea. No. 10 Plastic Toggler
- 1 Ea. No. 10 Plastic Shield

300C Rubber Bumper

Durable vinyl with adhesive mounting



NO. 3200T



NO. 3201T



NO. 3210T



NO. 3211T

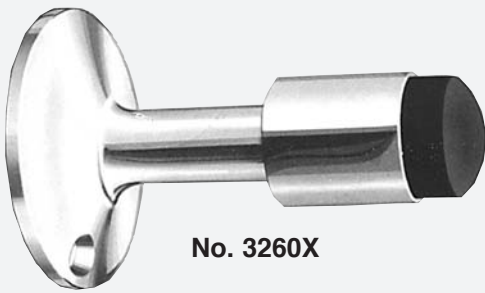


NO. 300C

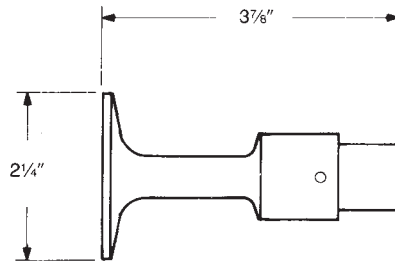
NO.	DESCRIPTION	FINISHES
300C	Concave Rubber	Gray
3200T	Cast Convex	US3, 4, 10, 10B, 26, 26D
3201T	Cast Concave	US3, 4, 10, 10B, 26, 26D
3210T	Wrought Convex	US3, 4, 10, 10B, 26, 26D, 32, 32D
3211T	Wrought Concave	US3, 4, 10, 10B, 26, 26D, 32, 32D



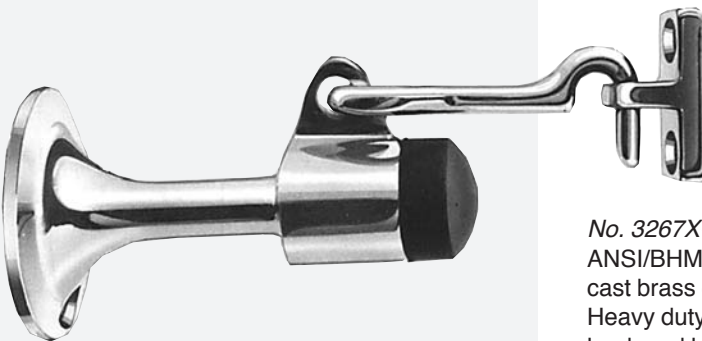
WALL STOPS & HOLDERS



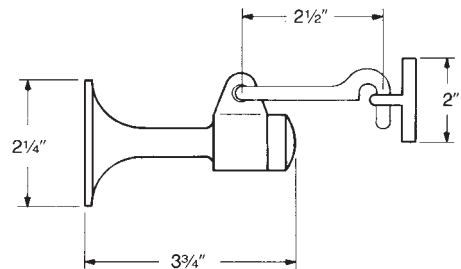
No. 3260X



No. 3260X—Conforms to ANSI/BHMA 156.16. Solid cast brass or bronze. Heavy duty wall stop with 3 7/8" long projection.



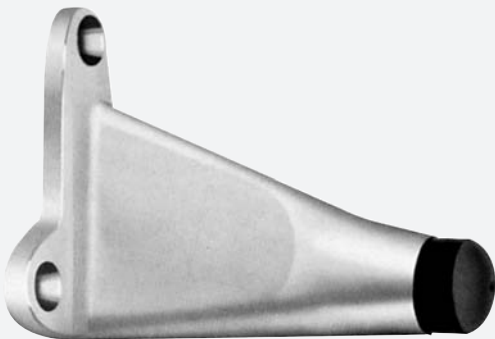
No. 3267X



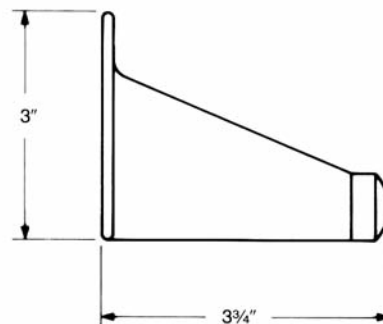
No. 3267X—Conforms to ANSI/BHMA 156.16. Solid cast brass or bronze. Heavy duty wall stop with hook and holder.

Finishes: US Standard: US3, US4, US10, US10B, US26, US26D
BHMA Standard: 605, 606, 612, 613, 625, 626

Suffix X Fasteners: 1 ea. 5/16" X 2" lag screw; 1 ea. 5/16" X 2" machine stud and tamper; and 1 ea. No. 12 X 1 1/4" SMS X No. 12 plastic anchor.



No. 3252T



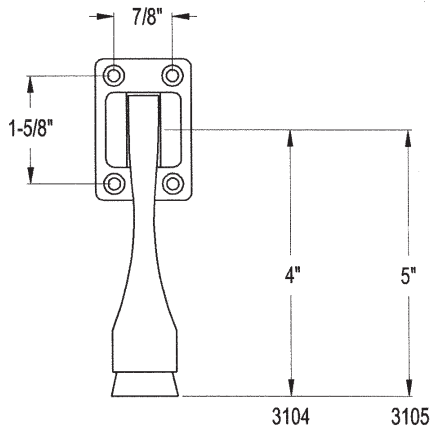
No. 3252—Conforms to ANSI/BHMA 156.16. Solid cast brass or bronze with replaceable phenolic bumpers. Recommended max. door weight, 180 lbs. Solid wall mounting.

3252T—26D

Fasteners—drywall, wood, masonry

- 3 each 1/4" x 1-1/2" FHMS
- 3 each poly toggle
- 3 each No. 12 x 1-1/4" FHMS
- 3 each expansion shield





No. 3104-4" & 3105-5"—Rugged cast iron kick down holders conform to ANSI/BHMA 156.16. Hinged arm held up by spring locks. Serrated rubber shoe holds door firmly in any position. Rubber shoe is threaded for easy, secure replacement

Sprayed paint finishes: AL-aluminum, BRZ-bronze.



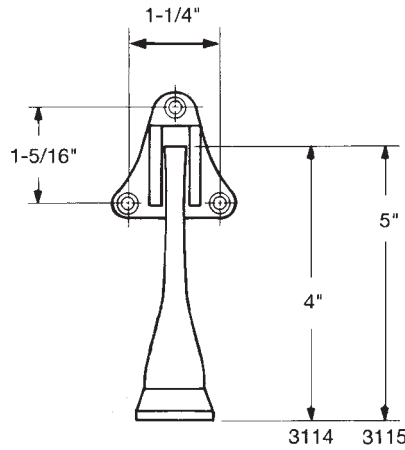
No. 3104
No. 3105

See drawing for current product style.

No. 3114-4" & 3115-5"—Beautifully finished solid cast brass or bronze kick down holders. Conform to ANSI/BHMA 156.16.

Minimum width bottom door rail:
Nos. 3104 & 3114 - 4" rails
Nos. 3105 & 3115 - 5" rails

Stock Finishes:
US Standard: US3, US4, US10, US10B, US26, US26D
BHMA Standard: 605, 606, 612, 613, 625, 626



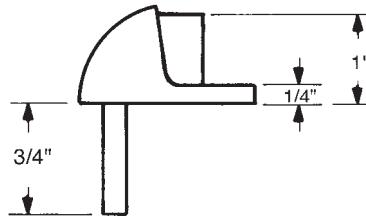
No. 3114
No. 3115

ITEM NO.	FASTENERS
3104 3105	3 each #6 X 3/4" combination wood and machine screws
3114 3115	3 each #6 x 3/4" combination wood and machine screws

DOME STOPS



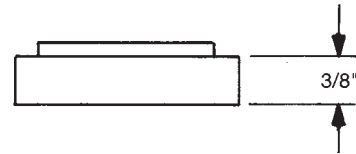
No. 3310X



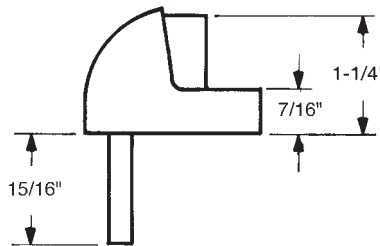
No. 3310X—Solid cast brass or bronze. Conforms to ANSI/BHMA 156.16. Durable rubber cushion.

No. 3300R—Cast aluminum stack riser for 3310X dome stop (3/8" riser).

Finishes: US Standard: US3, US4, US10, US10B, US26, US26D
BHMA Standard: 605, 606, 612, 613, 625, 626



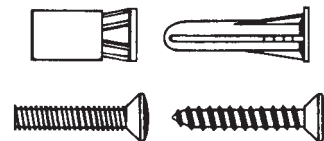
No. 3320X



No. 3320X—Solid cast brass or bronze. Conforms to ANSI/BHMA 156.16. Durable rubber cushion.

Finishes: US Standard: US3, US4, US10, US10B, US26, US26D
BHMA Standard: 605, 606, 612, 613, 625, 626

Fasteners: 3310X and 3320X dome stops are individually packaged with wood screws, machine screws, lead shields, and plastic anchors. 3310X anchor post will accommodate one 3300R riser.



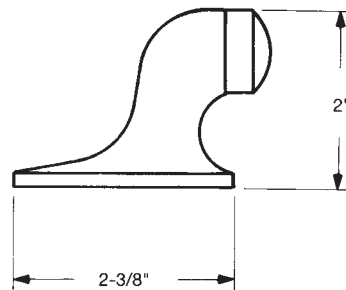
Door Controls' Floor Stops and Holders are manufactured of cast brass and/or cast bronze to provide strength and durability for heavy duty commercial applications. They conform to ANSI/BHMA and Federal Specifications. Floor stops and holders are specified according to the bumper contact heights. Heights available from 1 5/8" to 2 5/8". Fasteners for masonry installation included with each floor stop.

Floor stops are available in the following stock finishes: US Standard: US3, US4, US10, US10B, US26, US26D
BHMA Standard: 605, 606, 612, 613, 625, 626



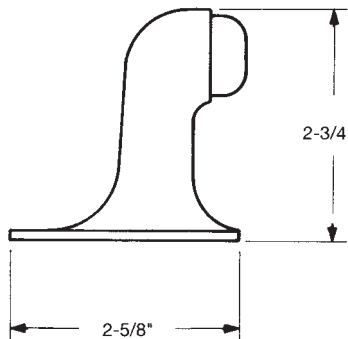
No. 3330X

No. 3330X—Heavy duty cast brass or cast bronze. Conforms to ANSI/BHMA 156.16. Brass/Bronze L12131. Bumper contact height 1 5/8".

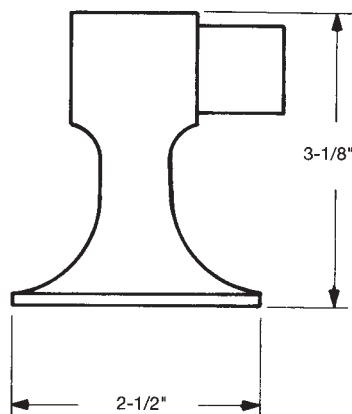


No. 3340X

No. 3340X—Heavy duty cast brass or cast bronze. Conforms to ANSI/BHMA 156.16. Brass/Bronze L12131 conforms to Fed. Spec. No. 1328 E. Bumper contact height 2 1/4".



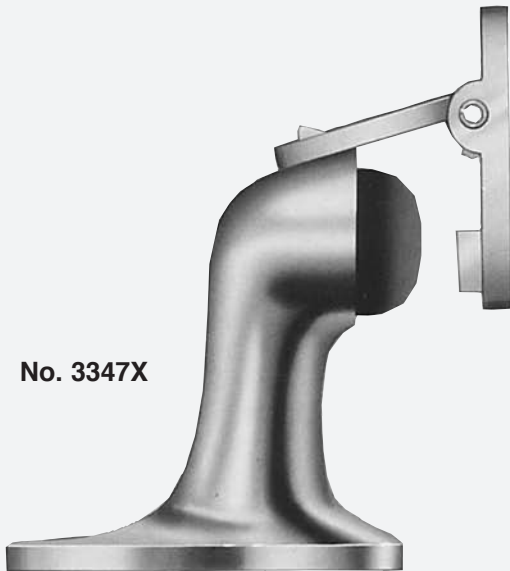
No. 3360X—Heavy duty cast brass or cast bronze. Conforms to ANSI/BHMA 156.16. Brass/Bronze L12131 conforms to Fed. Spec. No. 1328 E. Bumper contact height 2 5/8".



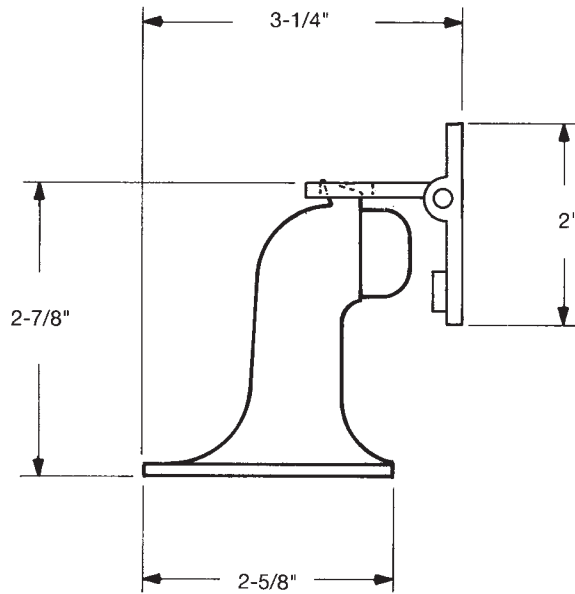
No. 3360X

No. 3360X—Heavy duty cast brass or cast bronze. Conforms to ANSI/BHMA 156.16. Brass/Bronze L12131 conforms to Fed. Spec. No. 1328 E. Bumper contact height 2 5/8".

FLOOR STOPS & HOLDERS



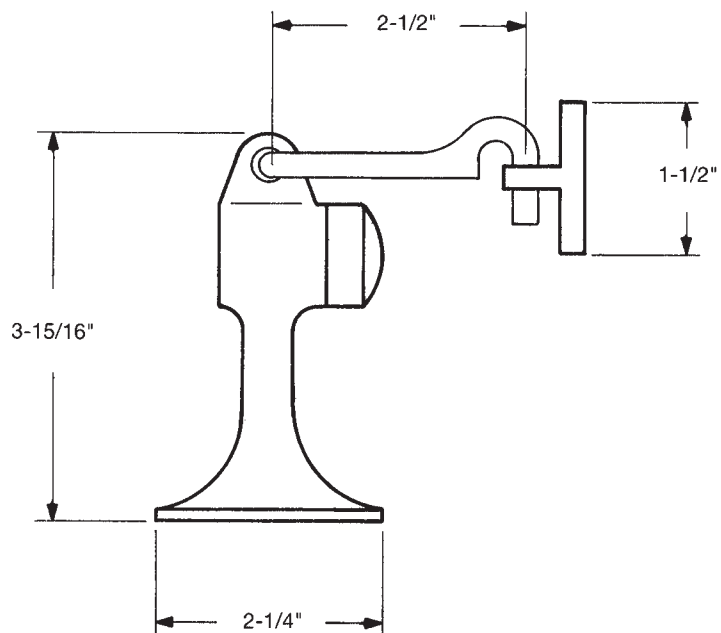
No. 3347X



No. 3347X—Heavy duty cast brass or cast bronze. Floor stop with cast strike and hinged holder. Hinged holder engages cast projection on top of floor stop. Raising the holder releases the door. Conforms to ANSI/BHMA 156.16. Brass/Bronze L11371 conforms to Fed. Spec. No. 1329 E. Bumper contact height: 2 1/4".



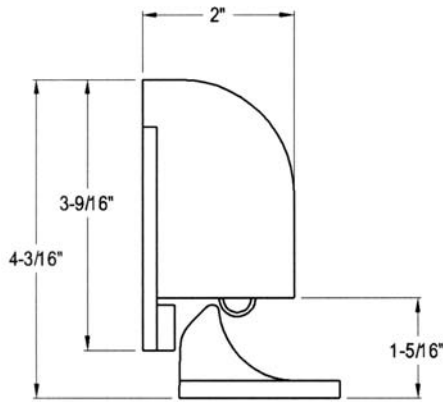
No. 3367X



No. 3367X—Heavy duty cast brass or cast bronze. Floor stop with cast hook and holder. Conforms to ANSI/BHMA 156.16. Brass/Bronze L11371 conforms to Fed. Spec. No. 1329 E. Bumper contact height: 2 5/8".



AUTOMATIC DOOR HOLDERS

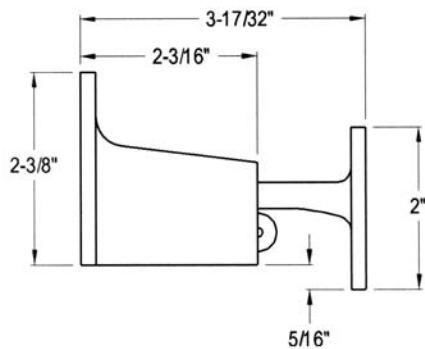


No. 3467X—Conforms to ANSI/BHMA 156.16, L11301. Easy operation with a push and pull on the door for open and release. Durable die cast brass construction for heavy traffic areas. The holder is mounted on the door, and the strike on the floor. Designed to accommodate a wide range of door to floor clearances. Supplied with a universal screw package for all types of applications.



No. 3467X

ITEM NO.	DOOR TO FLOOR CLEARANCE	FINISH
3467X	1/2" or Less	US3, 4, 10, 10B, 26, 26D
3468X	9/16" to 1-1/16"	US3, 4, 10, 10B, 26, 26D
3469X	1-1/8" to 1-9/16"	US3, 4, 10, 10B, 26, 26D
3470X	1-5/8" to 2-1/16"	US3, 4, 10, 10B, 26, 26D



No. 3487X

No. 3487X—Conforms to ANSI/BHMA 156.16, L11291. Easy operation with a push and pull on the door for hold open and release. Durable die cast brass construction for heavy traffic areas. The holder is mounted on the wall and the strike is mounted on the door, with a projection of 3 1/2". Supplied with a universal screw package for all types of applications.