



TECHNICAL DATA
FROM
Anemostat[®]
DOOR PRODUCTS
A MESTEK COMPANY

P.O. BOX 4938 • 1220 WATSONCENTER ROAD
CARSON, CA 90745-4206
(310) 835-7500 • FAX (310) 835-0448

e-mail: door@anemostat.com • website: www.anemostat.com

PLSL

LOUVER WITH SECURITY GRILLE
NON-VISION
INVERTED SPLIT Y
HURRICANE RATINGS



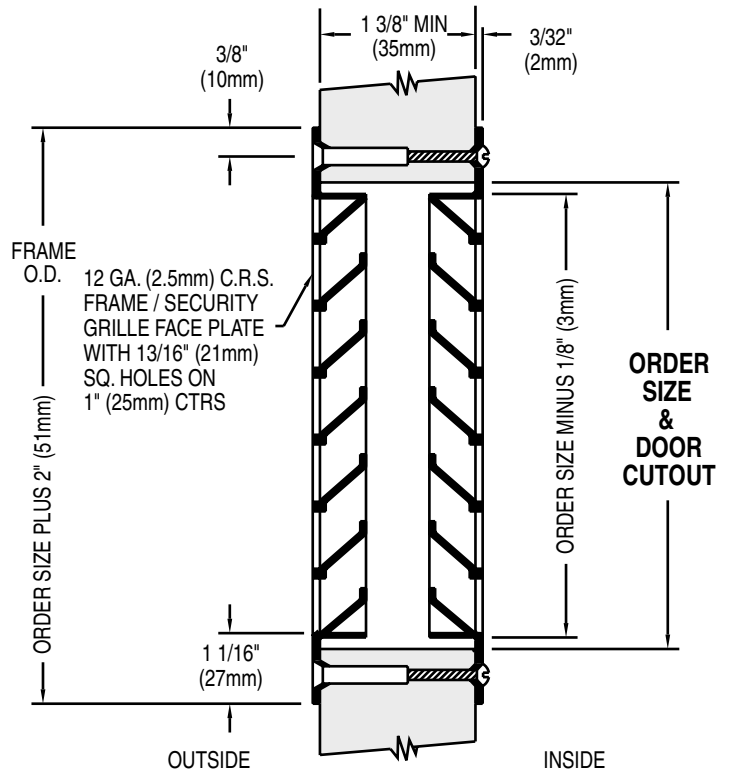
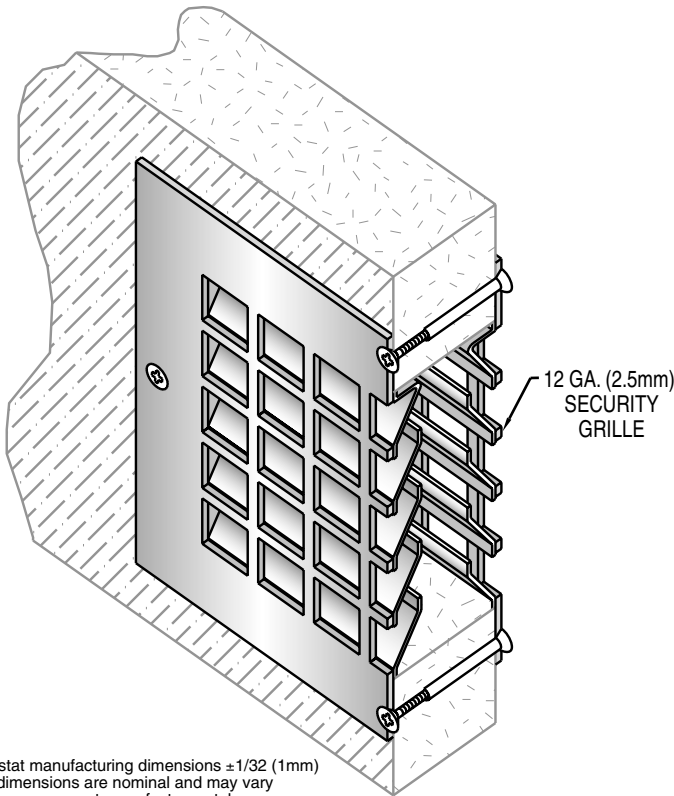
UNDERWRITERS'
LABORATORIES
FILE #R26087



Florida Building Code
Hurricane Approval
FILE #FL11757

NOT FIRE RATED

DETAIL DRAWING



Anemostat manufacturing dimensions ±1/32 (1mm)
Actual dimensions are nominal and may vary
based on component manufacturers tolerances.

STANDARD PRODUCT FEATURES

- MATERIAL:** 12 GA. (2.5mm) Cold Rolled Steel Security Grille Frame with 13/16 (21mm) square holes on 1" (25mm) centers. 20 ga. (1mm) Cold Rolled Steel - Louver Blades.
- FINISH:** Grey Primer, Beige or Bronze Baked Enamel.
- INSTALLATION:** By drilling 1/4" (6mm) holes thru the door, around the perimeter of the door cutout. Frame has countersunk mounting holes for #8x32 phillips head thru bolts (standard) or one way vandal proof security screws (must specify) with a blank head on one side for flush appearance.
- DOOR THICKNESS:** For 1 3/4" (44mm) Wood or Metal Doors. Can be used in door thicknesses over 1-3/8" (35mm).
- USES:** For use where air flow is required in a security or Vandal resistant application.
- FREE AIR FLOW:** 50% Free Area.
- IMPORTANT:** Interpretation of building and fire codes may vary. Consult with the local authority having jurisdiction in your area, to determine appropriate standards.
- NOTE:** For Exterior use, High Humidity or Salt Air application, product must be Galvanized or Stainless Steel.

OPTIONAL FEATURES

- MATERIAL:** #304 or #316 Stainless Steel, #4 Finish(Satin), Galvanized (Hot Dipped or Zinc Plated). Not Available in Galvanized Coil.
- FINISH:** Custom Baked Enamel Colors (as per sample chip, supplied by customer).
- FASTENERS:** Special Security Screw Fasteners, See Page 26, this section.
- SPECIALS:** Fractional sizes (frame dimension is increased to accommodate odd sizes). Mesh insect screens are loose, attached or framed. (Galvanized, Aluminum, Charcoal Aluminum, Stainless Steel.) For detail drawings see page 12 & 13, Louver section. Refer to model FDLS.

FIRE RATINGS

- PLSL is not fire rated.

HURRICANE TEST / WINDSTORM APPROVALS (W/ U.L. MARKING)

- Successfully tested in accordance with ASTM E1886, E1996 and E330 and ANSI 250.13-Impact 350 FT LBS. Design Pressure: +/- 70 PSF (large missile test).
- Complies with Florida Building Code Standards
- Maximum size for hurricane use is 36" x 72" (914mm x 1829mm)

Job Name & Location	Submitted by