



TECHNICAL DATA
FROM
Anemostat[®]
DOOR PRODUCTS
A MESTEK COMPANY

P.O. BOX 4938 • 1220 WATSONCENTER ROAD
CARSON, CA 90745-4206
(310) 835-7500 • FAX (310) 835-0448

e-mail: door@anemostat.com • website: www.anemostat.com

Lo-FP-24

24" ROUND
LO-PROFILE METAL VISION FRAME



UNDERWRITERS'
LABORATORIES

EN-1634

European Standard

FIRE RATINGS

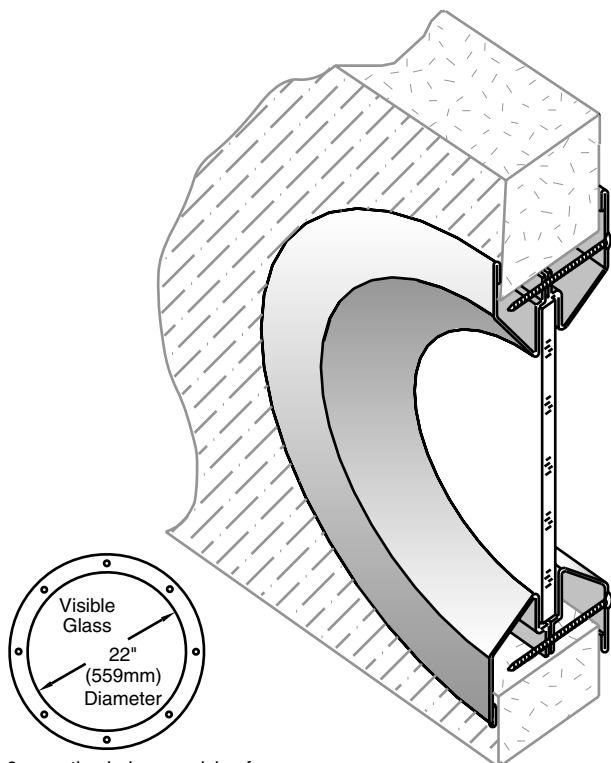


WARNOCK
HERSEY

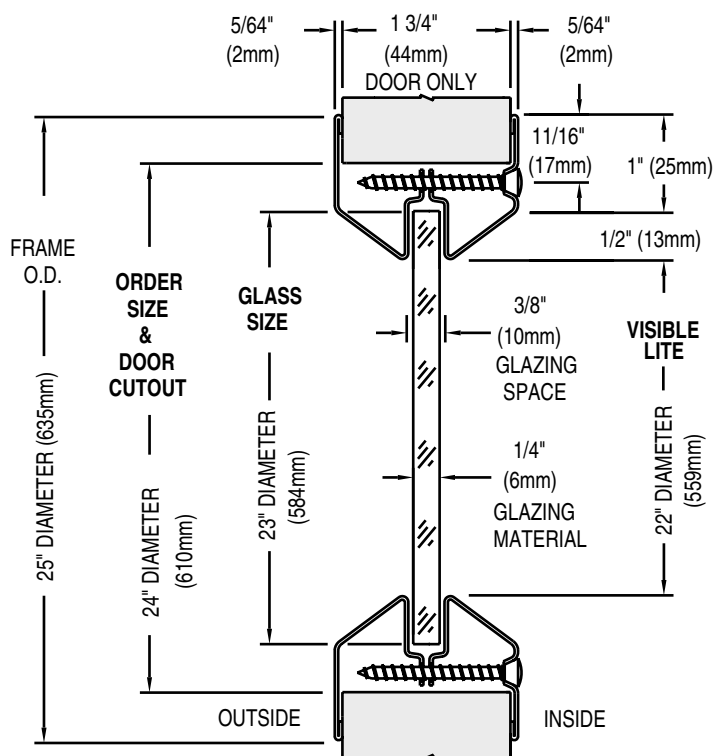
B.S.-476.22

British Standard

DETAIL DRAWING



8 mounting holes per vision frame



Anemostat manufacturing dimensions ±1/32
Actual dimensions are nominal and may vary
based on component manufacturers tolerances.

STANDARD PRODUCT FEATURES

- MATERIAL:** 20 GA. Cold Rolled Steel.
- FINISH:** Grey Primer, Beige or Bronze Baked Enamel.
- INSTALLATION:** Uses #8 x 1 3/4" long phillips oval head screws that pass through the door cutout and fasten to the opposite side of the vision frame, eliminating the need for thru bolts.
- DOOR THICKNESS:** For 1 3/4" Wood or Metal Doors.
- GLAZING:** Should be 1/4", 3/16" or 5/16" fire and/or safety rated with U.L. and/or W.H.I. classification markings. Glazing space of 3/8" allows for glazing tape to be used on both sides of the glass.
- AESTHETICS:** Smooth round contour of low profile frame style gives a unique design to any setting.
- IMPORTANT:** Interpretation of building and fire codes may vary. Consult with the local authority having jurisdiction in your area, to determine appropriate standards.
- NOTE:** For Exterior use, High Humidity or Salt Air application, product must be Galvanized steel.
- PLEASE NOTE:** On visible lite sizes larger than 1296 sq. in. on 20/45 min. and 100 sq. in. on 60/90/180 min., please consult with your Door / Frame Manufacturer's procedures, for their maximum glass size tested.

OPTIONAL FEATURES

- MATERIAL:** #304 or #316 Stainless Steel, #4 Finish(Satin), Galvanized (Hot Dipped, or Zinc Plated).
- FINISH:** Custom Baked Enamel Colors (as per sample chip supplied). Plated Finishes to match the lock, hinges and closer.
- FASTENERS:** Special Security Screw Fasteners, See Page 36, this section.
- SPECIALS:** Consult Factory for special diameter sizes and special glass or door thickness.

FIRE RATINGS (w/ U.L. & W.H.I. classification markings) Positive Pressure

- 20/45/60*90* MINUTE:** Approved listing at 380 sq.in. visible lite.

* Must be used with FIRELITE Plus or NT and Fire listed glazing tape or another manufacturer's equivalent product. Glazing combination must be used in appropriately tested door assembly.

BS 476.22 British Standard Timber Doors - 30 min. and 1 hour.
Steel Doors - 2 hours (4 hours actual).

EN-1634 European Std. 30/60 min. integrity and insulation - Indicative Testing

Job Name & Location	Submitted by