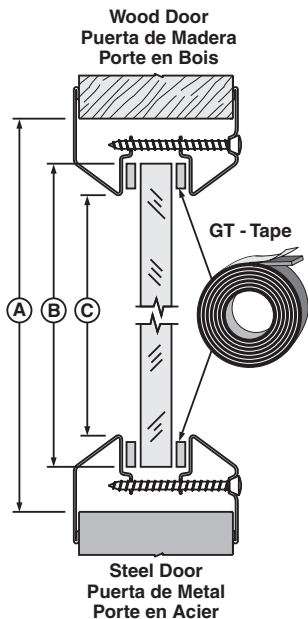


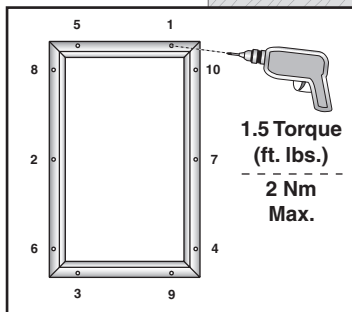
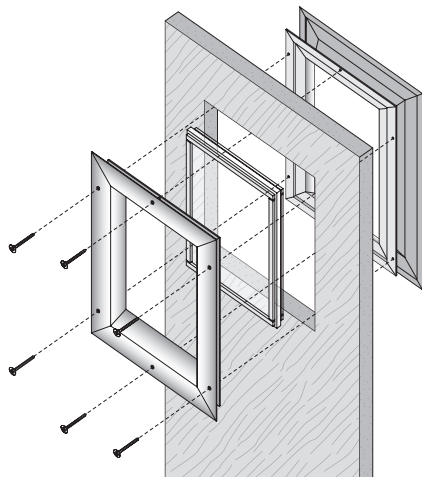


**U.S. and NORTH AMERICA**

UL-10C, 20/45/60/90/180 minutes



$(A) = (B) + 1" = (C) + 2"$



Please examine product for defects  
Prior to Installation.

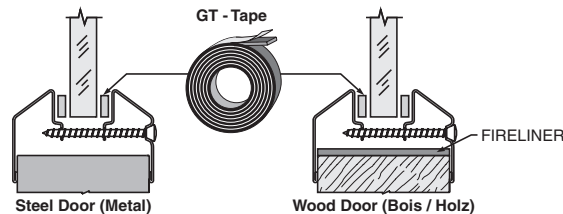
**LoPro™ INSTALLATION**

**EUROPE**

B.S. 476.22

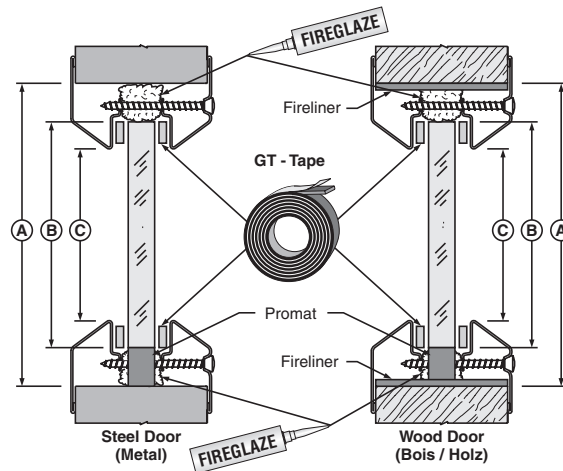
EN-1634.1, E & EW

**INTEGRITY**



EN-1634.1, EI 30, EI 60

**INSULATION**



$(A) = (B) + 25mm = (C) + 50mm$