

FIRE & SAFETY

— R A T E D —

SAFETY

— R A T E D —

DEFINITION

Glazing Products:

May be identified as glass, glazing, polycarbonate, lami glass, glazing tape, ceramics, annealed, tempered, decorative, single pane or double pane, Low E, or wire.

All describe a family of products using transparent or translucent material, used in door assemblies and windows. May be fire rated, safety/impact rated or both.

Can be sound rated, insulated, temperature rise or rated as a barrier to radiant heat. Many are used in combination with one another to satisfy a particular application.

IMPACT

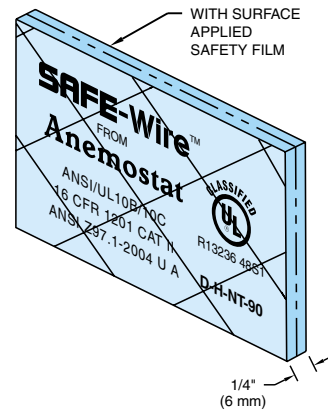
— R A T E D —

Fire and Safety Rated

SAFE-Wire™

1/4" (6mm) with Surface Applied Safety Film - Category II Impact / Safety Rated

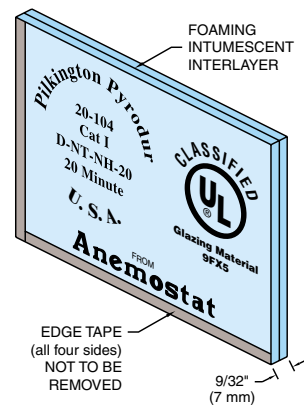
- **MATERIAL:** 1/4" (6mm) polished wire glass (diamond pattern) with surface applied safety film
- **VISION FRAME MODEL:** LoPro
- **INSTALLATION:** with GT-18, 1/8" (3.2mm) fire rated glazing tape (supplied loose) to both sides of glass
- **CLASSIFICATION MARKINGS:** Permanently etched with U.L. mark in compliance with NFPA-80 revised
- **FIRE TESTED:**
 - ▶ **20 minute:** Approved listing at 2994 sq. in. visible lite
 - ▶ **45 minute:** Approved listing at 1296 sq. in. visible lite
 - ▶ **60/90 minute:** Approved listing at 100 sq. in. visible lite



Pyrodur™

9/32" (7mm) Laminated, Clear - Category I Impact / Safety Rated

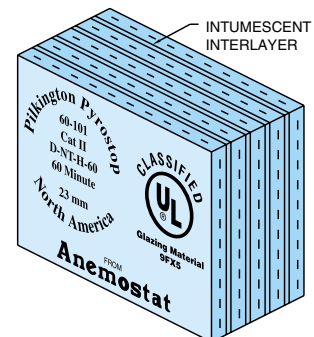
- **MATERIAL:** 9/32" (7mm) laminated glass with a special interlayer
- **VISION FRAME MODEL:** LoPro
- **INSTALLATION:** with GT-116, 1/16" (1.6mm) fire rated glazing tape (supplied loose) to both sides of glass. Interior use only.
- **CLASSIFICATION MARKINGS:** Permanently etched with U.L. mark in compliance with NFPA-80 revised
- **FIRE TESTED:**
 - ▶ **20 minute:** Approved listing at 1296 sq. in. visible lite (WITHOUT HOSE STREAM)



Pyrostop®

3/4" (19mm) - 2-3/8" (62mm) Clear - Category II Impact / Safety Rated

- **MATERIAL:** Available in thicknesses 3/4" (19mm) to 2-3/8" (62mm) based on fire rating and interior or exterior application. Uses multiple layers of float glass laminated with transparent intumescent interlayers
- **VISION FRAME MODEL:** LoPro-IS or FGS-IS (over 1" (25mm) thickness)
- **INSTALLATION:** with GT-116, 1/16" (1.6mm) fire rated glazing tape to both sides of glass. Glaze with setting blocks to support the glass (by others).
- **CLASSIFICATION MARKINGS:** Permanently etched with U.L. mark in compliance with NFPA-80 revised
- **FIRE TESTED:** Barrier to Radiant Heat
 - ▶ **45/60/90/120 minute:** Approved listing at 3724 sq. in. visible lite
- **STC RATED:** 40 dB (3/4") to 46 dB (1-9/16" for interior use)
- **BULLET RATED:** Level 1 (1-1/16") to Level 3 (2-3/8")



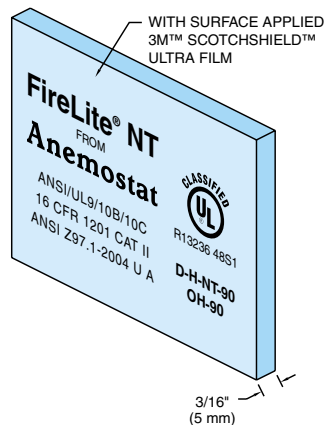
NOTE: On visible lite sizes larger than 1296 sq. in. on 20/45 min. and 100 sq. in. on 60/90/180 min., please consult with your Door / Frame Manufacturer's procedures, for their maximum glass size tested. Consult factory for Temperature Rise Glazing



Fire and Safety Rated

FireLite® NT

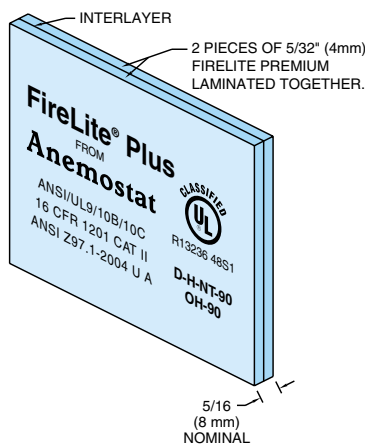
3/16" (5mm) Clear with 3M Safety Film - Category II Impact / Safety Rated



- **MATERIAL:** 3/16" (5mm) clear ceramic with 3M surface applied film. STANDARD (non-polished) with a slight distortion or PREMIUM (polished) with maximum clarity.
- **VISION FRAME MODEL:** LoPro
- **INSTALLATION:** with GT-18, 1/8" (3.2mm) fire rated glazing tape (supplied loose) to both sides of glass
- **CLASSIFICATION MARKINGS:** Permanently etched with U.L. mark in compliance with NFPA-80 revised
- **FIRE TESTED:**
 - ▶ 20/45/60 minute: Approved listing at 3204 sq. in. visible lite
 - ▶ 90 minute: Approved listing at 2034 sq. in. visible lite
 - ▶ 180 minute: Approved listing at 100 sq. in. visible lite

FireLite® Plus

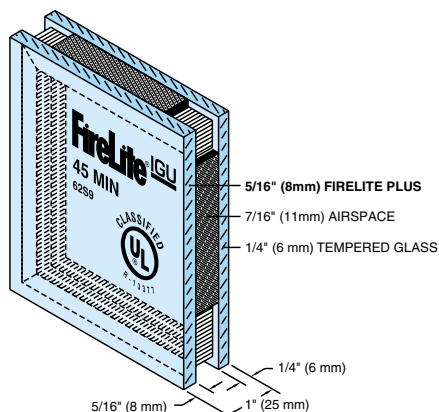
5/16" Nominal (8mm) Laminated Clear - Category II Impact / Safety Rated



- **MATERIAL:** 5/16" nominal (8mm) clear ceramic laminated with 2 pieces of PREMIUM FireLite and a proprietary interlayer
- **VISION FRAME MODEL:** LoPro
- **INSTALLATION:** with GT-132, 1/32" (.793mm) fire rated glazing tape (supplied loose) to both sides of glass
- **CLASSIFICATION MARKINGS:** Permanently etched with U.L. mark in compliance with NFPA-80 revised
- **FIRE TESTED:**
 - ▶ 20/45/60 minute: Approved listing at 3204 sq. in. visible lite
 - ▶ 90 minute: Approved listing at 2034 sq. in. visible lite
 - ▶ 180 minute: Approved listing at 100 sq. in. visible lite
- **STC RATED:** Approximately 35 dB

FireLite® IGU

1" (25mm) Insulated Unit - Category II Impact / Safety Rated



- **MATERIAL:** 1" (25mm) insulated unit, incorporates 5/16" (8mm) FireLite Plus with 1/4" (6mm) Tempered Glass. Other types available (see Technical Data Sheet).
- **VISION FRAME MODEL:** LoPro-IS
- **INSTALLATION:** with GT-132, 1/32" (.793mm) fire rated glazing tape (supplied loose) to both sides of glass
- **CLASSIFICATION MARKINGS:** Permanently etched with U.L. mark in compliance with NFPA-80 revised
- **FIRE TESTED:**
 - ▶ 20/45/60 minute: Approved listing at 3204 sq. in. visible lite
 - ▶ 90 minute: Approved listing at 2034 sq. in. visible lite
 - ▶ 180 minute: Approved listing at 100 sq. in. visible lite
- **STC RATED:** Approximately 39 dB

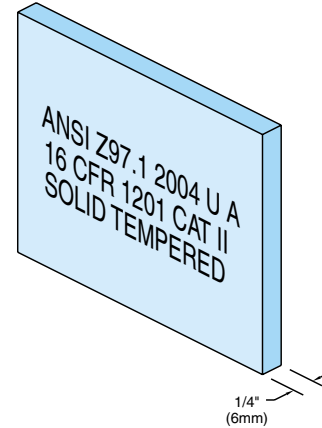
NOTE: On visible lite sizes larger than 1296 sq. in. on 20/45 min. and 100 sq. in. on 60/90/180 min., please consult with your Door / Frame Manufacturer's procedures, for their maximum glass size tested. Consult factory for Temperature Rise Glazing

Safety Rated

Tempered

1/4" (6mm) - Category II Impact / Safety Rated

- **MATERIAL:** 1/4" (6mm) clear heat strengthened glass. Also available in bronze, gray or graylite.
- **VISION FRAME MODEL:** LoPro
- **INSTALLATION:** with GT-18, 1/8" (3.2mm) fire rated glazing tape to both sides of glass
- **FIRE TESTED:** NOT fire rated
- **FEATURES:**
 - ▶ Heat strengthened glass, cannot be cut after manufacturing
 - ▶ Breaks into small particles, not sharp pieces when broken

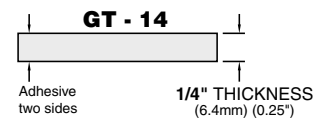
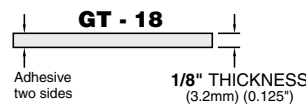
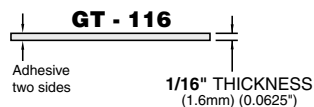
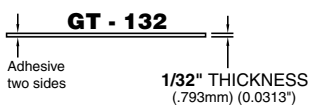
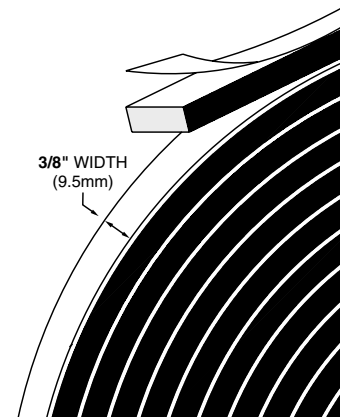


Fire Rated Glazing Tape

Glazing Tape

1/32" (.793mm), 1/16" (1.6mm), 1/8" (3.2mm), 1/4" (6.4mm) Closed Cell Foam Sealant

- **MATERIAL:** 1/4" (6.4mm), 1/8" (3.2mm), 1/16" (1.6mm), 1/32" (.793mm) closed cell polyvinyl chloride foam tape with pressure sensitive adhesive two sides, protected with a paper or polyethylene liner. Black in color, 3/8" (9.5mm) wide.
- **VISION FRAME MODEL:** All models. Tape thickness will vary based on model, and glass thickness used
- **FIRE TESTED:**
 - ▶ **20/45/60/90/180 minute:** Approved listing when used in a fire rated door component assembly
- **LISTINGS:** U.L., WHI, BS 476.22 and EN-1634



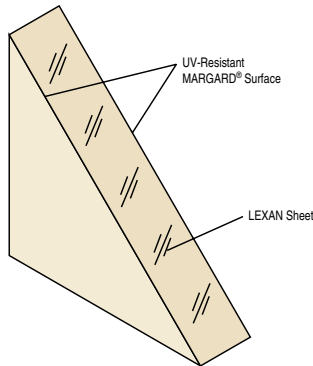
SIZES ARE NOT TO SCALE



Security - Impact Rated

LEXAN® MR-10 Sheet

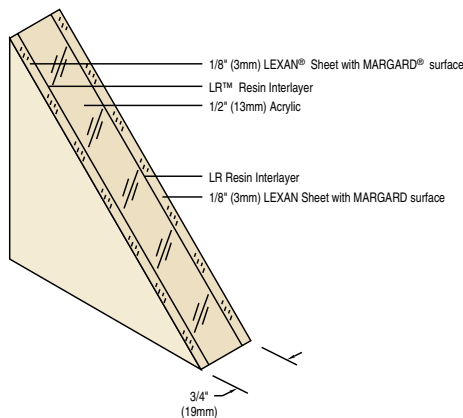
1/8" (3mm), 1/4" (6mm), 3/8" (9.5mm), 1/2" (12.7mm) Polycarbonate- Category I and II Impact / Safety Rated



- **MATERIAL:** Combines the impact strength of LEXAN Polycarbonate Sheet with a proprietary abrasion and UV resistant Margard® II coating on both sides
- **VISION FRAME MODEL:** Various models based on impact, or security application, and glazing thickness required
- **FEATURES:**
 - ▶ Virtually unbreakable
 - ▶ High light transmission value
 - ▶ Defies graffiti to stick
 - ▶ Available in clear, gray, graylite and bronze
 - ▶ Silicone hard coat surface
 - ▶ Warranted against yellowing, breakage, coating failure and loss of light transmission
- **FIRE TESTED:** NOT fire rated

MP-750 LEXGARD®

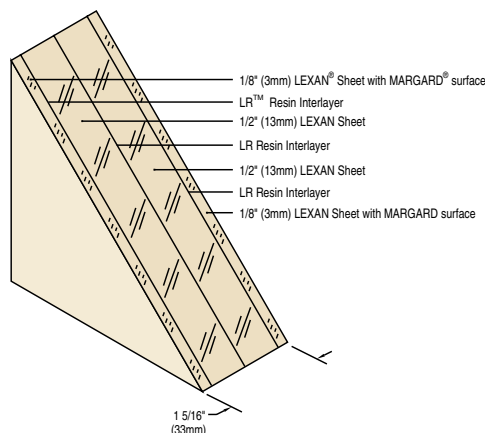
3/4" (19mm) Bullet Resistant and Forced Entry Security Glazing



- **MATERIAL:** 3/4" (19mm) clear, 3-ply LEXAN Polycarbonate with acrylic sheet and bonding interlayer
- **VISION FRAME MODEL:** BR-7 or SG-10
- **FEATURES:**
 - ▶ Warranted against abrasion, yellowing, coating failure and structural delamination
 - ▶ Multi-shot capability - stops closely grouped shots
 - ▶ High impact, stress-free lamination will not spider crack on impact, maintaining visualization after impact
 - ▶ Abrasion-resistant surface
 - ▶ Virtually unbreakable
- **FIRE TESTED:** NOT fire rated
- **BULLET RATED:** .38 super - ASTM F1233-93, U.L. 752 Level 1 (9mm)
HPW-TP-0.500.00 Level B (9mm)

SP-1250 LEXGARD®

1-5/16" (33mm) Bullet Resistant and Forced Entry Security Glazing



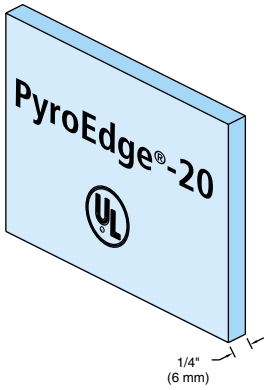
- **MATERIAL:** 1-5/16" (33mm) clear, 4-ply LEXAN Polycarbonate with bonding interlayers
- **VISION FRAME MODEL:** BR-7
- **FEATURES:**
 - ▶ Warranted against abrasion, yellowing, coating failure and structural delamination
 - ▶ Multi-shot capability - stops closely grouped shots
 - ▶ High impact, stress-free lamination will not spider crack on impact
 - ▶ Virtually unbreakable, abrasion resistant surface
- **FIRE TESTED:** NOT fire rated
- **BULLET RATED:** .44 magnum - ASTM-F1233-93, U.L. 752 Level 3,
HPW-TP-0500.00 Level C
- **BOMB BLAST:** *Approx. 4300 lbs. TNT/115 ft., over pressure/57 psi, duration/15 msec.
*Blast resistance threat levels are based on many variables. Consult factory or www.anemostat.com for the most current information on SP-1250

©LEXAN, LEXGARD and MARGARD are registered of General Electric Company

NOTE: Must be used in an appropriately tested door assembly.

OTHER GLAZING PRODUCTS

Fire and Safety Rated



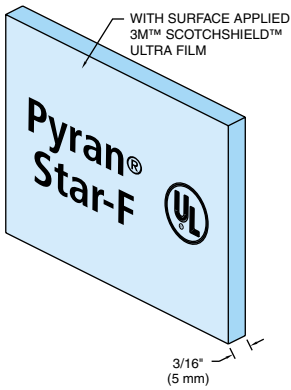
PyroEdge-20

- 1/4" Specially Tempered Clear
- 20 minute Fire Rated without Hose Stream
- Impact / Safety Rated Category II
- "Xtra-Clear" for additional light transmission



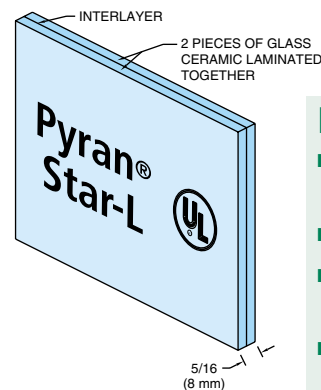
FireGlass 20®

- 1/4" Specially Tempered Clear
- 20 minute Fire Rated without Hose Stream
- Impact / Safety Rated Category II



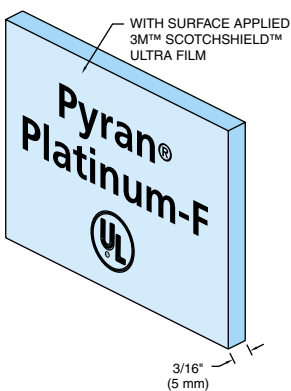
Pyran® Star-F

- 3/16" Clear with Surface Applied 3M Film
- Fire Rated up to 90 minutes
- Impact / Safety Rated Category II
- Standard (slight distortion) with a slight texture



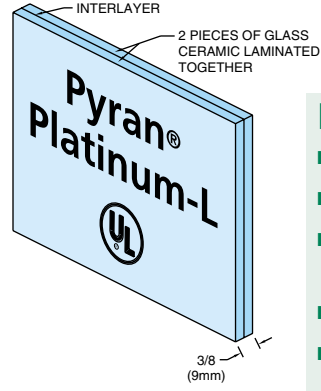
Pyran® Star-L

- 5/16" Clear Laminated Ceramic
- Fire Rated up to 90 minutes
- Impact / Safety Rated Category II
- Standard (slight distortion) with a smooth surface



Pyran® Platinum-F

- 3/16" Clear with Surface Applied 3M Film
- Fire Rated up to 180 minutes
- Impact / Safety Rated Category II
- True Color rendition
- Superior Clarity and virtually no distortion



Pyran® Platinum-L

- 3/8" Clear Laminated Ceramic
- Fire Rated up to 180 minutes
- Impact / Safety Rated Category II
- True Color rendition
- Superior Clarity and virtually no distortion
- STC Rating is approx. 36 dB

For all items on this page, contact factory for availability.

© Pyran is a registered trademark of Schott AG (Mainz, Germany)
 © PyroEdge is a registered trademark of Interedge Technologies